

Power Flame Incorporated



“C” BURNER PARTS LIST

THE POWER TO MANAGE ENERGY

2001 South 21st Street, Parsons, KS 67357
Telephone: 620-421-0480 FAX: 620-421-0948
Website: www.powerflame.com
e-mail: CSD@powerflame.com

ALPHABETICAL INDEX TO "C" BURNER PARTS LIST

<u>DESCRIPTION</u>	<u>PAGE NUMBER</u>	<u>ITEM NUMBER</u>
Back Plate Assembly	2	9
Blast Tube	1	2
Blower Assemblies, Balanced	3	16.5
Blower Housings.....	1	1
Blower Wheels.....	3	16
Butterfly Assemblies	41	84
Cable Guide, Oil Ignition.....	30	32
Cables, Oil Direct Spark Ignition.....	30	32.1
Cad Cell.....	30	34.1
Choke & End Ring	1	3
Cocks and Handles, Gas	39	80
Cocks, Pilot Shutoff	45	93
Contactors	14-15	18.8
Controls, Flame Safeguard/Circuit Boards	5-8	18.2-18.5
Controls, Operating & Limit.....	12-13	18.6
Damper Axles	1	6
Damper Axle Bushing	2	7
Damper Blades.....	1	5
Damper Cylinder & Accessories	31	44-50
Damper Guards, Wire.....	46	102
Diffusers	1	4

<u>DESCRIPTION</u>	<u>PAGE</u>	<u>ITEM</u>
	<u>NUMBER</u>	<u>NUMBER</u>
Electrode Clamp, Oil Ignition	30	31
Electrodes, Oil Ignition.....	26	26
Exploded View Burner Drawings	47-53	N/A
Flame Rod and Cable.....	35	62
Fuses, Control Circuit 600 Volt.....	20-21	18.19
Gauges, Gas Pressure	45	97
Gauge, Oil Pressure	25	22.7
Gun Assemblies, Gas.....	26	25.1
Gun Assemblies, Oil	26	25
Gun Mounting Plates, Oil.....	30	30
Labels, Engraved - Adhesive Back.....	21	18.22
Labels, Pressure Sensitive Preprinted.....	21-22	18.23
Lights.....	18	18.13
Linkage Accessories.....	32-33	57-57.10
Linkage Cross Straps	31	56
Meters.....	21	18.21
Motors.....	2-3	15
Motors, Modulating and Brackets	35	61
Motor Mounting Plates.....	2	8
Motor Starters.....	15-17	18.9

<u>DESCRIPTION</u>	<u>PAGE</u>	<u>ITEM</u>
	<u>NUMBER</u>	<u>NUMBER</u>
Nipples, Tapped	46	100
Nipples, Test Port	46	101
Oil Filters Elements and "O" Rings	24	21.7
Oil Nozzles	26-29	27
Oil Nozzle Adaptors	29	28
Oil Pumps	23	21
Oil Pump, Remote Parts	23	21.2-21.5
Panel Box Bodies	4	17.1
Panel Box Chassis Plates.....	4	17.2
Panel Box Doors.....	4	17.3
Panel Box Door Latch & Knob.....	5	18.1
Panel Box Hinged Tops.....	4	17
Panel Box Mounting Brackets.....	5	18
Photocell.....	30	33-34
Photocell Mounting Bracket.....	25	24
Pilot Assemblies, Gas.....	34	59
Pilot Ignition Electrodes & Cable	35	62
Pilot Mounting Plates.....	35	69
Pilot Orifices	35	63
Potentiometers	21	18.20
Pump Bushings	22	19.1

<u>DESCRIPTION</u>	<u>PAGE</u>	<u>ITEM</u>
	<u>NUMBER</u>	<u>NUMBER</u>
Pump Coupling Adaptors.....	22	19
Pump Coupling Parts.....	22	20.1
Pump Couplings, Integrally Mounted.....	22	20
Regulators, Main Gas.....	44	91
Regulators, Pilot Gas.....	35	70
Relays.....	13-14	18.7
Scanners	30-31	34.2-34.3
Side Orifices	41-43	86.2
Side Orifice Springs.....	46	98
Sight Glass	45	94
Strainers, Gas Line and Baskets	39	79.5
Strainers, Oil, Simplex.....	24	21.8
Switches	19	18.15
Switches, Air Pressure.....	34	58
Switches, Control.....	18	18.14
Switches, Gas Pressure, High.....	43	89
Switches, Gas Pressure, Low.....	44	90
Switch, Micro	19	18.17
Switches, Oil Pressure.....	24	21.6
Terminal Strips	19	18.16
Transformers, Gas Ignition	36	78

<u>DESCRIPTION</u>	<u>PAGE</u>	<u>ITEM</u>
	<u>NUMBER</u>	<u>NUMBER</u>
Transformers, Oil Ignition	25	23
Transformers, Stepdown	20	18.18
Valves, Ball.....	39-40	80
Valve, Bleed	38	79.3
Valve Bodies, Gas	37-38	79.1
Valves, Butterfly.....	40-41	84
Valves, Check, Oil Return.....	45	92
Valves, Gas, Diaphragm.....	38	79.2
Valves, Gas, Combination & Pressure Regulator	38	79.4
Valves, Modulating Oil & Brackets.....	34	60
Valve Operators, Gas	36	79
Valves, Oil, Brackets & Boxes	25	22-22.6
Valves, Pilot.....	36	71
Valves, Solenoid, Gas	45	95
Valves, Vent (N.O.).....	45	96

INSTRUCTIONS FOR ORDERING

1. Always specify model and serial number of burner.
2. Include nameplate information such as model, range, voltage, etc.
3. Certain fabricated components cannot be selected without reference to the specific Bill of Materials for your burner (these components are individually noted in this Book). Bill of Materials are included with all burner shipments. Should additional copies be required, they will be supplied no charge. Consult factory.
4. For reference purposes, Exploded View Burner Drawings are provided on pages 45, 46, 47, 48, 49 and 50. Call out numbers on these Drawings match Item numbers found to the left of each part group title.

MINIMUM BILLING \$50.00 NET PLUS TRANSPORTATION CHARGES

**IDENTICAL ITEMS MAY NOT ALWAYS BE AVAILABLE
BUT ITEMS OF EQUAL OR BETTER QUALITY WILL BE FURNISHED**

ALL PUBLISHED PRICES SUBJECT TO CHANGE WITHOUT NOTICE.

<u>ITEM NO.</u>	<u>PART NO.</u>	<u>DESCRIPTION</u>
1		<u>BLOWER HOUSING</u>
	C20010	C1 30A194C UL UL "81"
	C20030	C2 with 5 3/4" Inlet
	C20053	C3 with 8 1/4" x 3 1/2" Wheel
	C20050	C3 with 9 1/8"x 4" Wheel
	C20051	C3 without Inlet Ring
	C20071	C4/5/6
	C20072	C4 with Integral Pump
	C20075	C7 Bolt On Damper
	C20080	C8 Bolt On Damper
		Or refer to As Built Spec Sheet
2		<u>BLAST TUBE</u>
		Refer to As Built Spec Sheet
3		<u>CHOKE AND END RING</u>
		Refer to As Built Spec Sheet
4		<u>DIFFUSERS</u>
		Consult Factory
5		<u>DAMPER BLADES</u>
	C10540	C1
	C10541	C1-CGA
	C10550	C2
	C10551	C2-CGA
	C10560	C3
	C10561	C3-CGA
	C10576	C4/5/6
	C10577	C4/5/6-CGA
6		<u>DAMPER AXLES</u>
	C80580	C1
	C80589	C2 Short Damper Axle
	C80590	C2/3
	C80611	C4/5/6

<u>ITEM NO.</u>	<u>PART NO.</u>	<u>DESCRIPTION</u>
-----------------	-----------------	--------------------

1

7 DAMPER AXLE BUSHING

930150 C1/2/3/4/5/6

8 MOTOR MOUNTING PLATES

C10730 C1 56C
 C10740 C2 56C
 C10750 C3 56C
 C10760 C4/5 56C 145TC
 C10810 C4/5/6 184T
 C24206 C7 30A377C 215T 1.25"
 C24207 C8 30A393C 1.5"
 Or refer to As Built Spec Sheet

9 BACK PLATE ASSEMBLY

C24011 C1 30A404C
 C24012 C1 for Top Pilot Assembly
 C24051 C1 Top Pilot Adjustment Plate (used w/C24012)
 C24020 C2 30A404C
 C24021 C2 for Top Pilot Assembly
 C24030 C3 30A406C
 C24031 C3 for Top Pilot Assembly
 C24040 C4/5/6
 C24041 C4/5/6 for Top Pilot Assembly
 C24050 Top Pilot Adjustment Plate (used with C24021, C24031 & C24041)

15 MOTORS, 3450 RPM - 60 Hz

054120	1/3 HP	115/230	1PH	56C
054130	1/3 HP	208/230/460	3PH	56C
054160	1/2 HP	115/230	1PH	56C
054170	1/2 HP	208/230/460	3PH	56C
054180	3/4 HP	115/230	1PH	56C
054190	3/4 HP	208/230/460	3PH	56C
054210	1 HP	115/230	1PH	56C
054220	1 HP	208/230/460	3PH	56C
054240	1 1/2 HP	115/230	1PH	56C
054250	1 1/2 HP	208/230/460	3PH	56C
054270	2 HP	115/230	1PH	56C
054280	2 HP	208/230/460	3PH	56C

<u>ITEM NO.</u>	<u>PART NO.</u>	<u>DESCRIPTION</u>
-----------------	-----------------	--------------------

2

15 MOTORS, 1725 RPM - 60 Hz

054630	3 HP	208/230/460	3PH	56C
054650	3 HP	208/230/460	3PH	145TC
055220	5 HP	208/230/460	3PH	182TC
055920	5 HP	230/460	3PH	145TC
055970	5 HP	200/208	3PH	145TC
054760	7 1/2 HP	208/230/460	3PH	184TC
054780	10 HP	208/230/460	3PH	215TC
055580	3/4 HP	115/230	1PH	56C
055590	3/4 HP	208/230/460	3PH	56C
055630	1 HP	208/230/460	3PH	56C
059710	15 HP	208/230/460	3PH	215T

16 BLOWER WHEELS

084900	6 1/4" x 3" x 5/8"
080500	7" x 3" x 5/8"
081100	7 5/8" x 3 1/2" x 5/8"
081750	8 1/4" x 3 1/2" x 5/8" D-Hub
081700	8 1/4" x 4 1/2" x 5/8" S-Hub
081800	8 1/4" x 4 1/2" x 7/8"
081850	9 1/8" x 2 1/2" x 5/8"
082510	9 1/8" x 4" x 5/8" S-Hub
082550	9 1/8" x 4" x 5/8" D-Hub
082850	9 1/8" x 4" x 7/8"
082900	9 1/8" x 5 1/2" x 7/8"
083100	9 1/8" x 5 1/2" x 1 1/8"
083800	9 7/8" x 5" x 1 1/8"
084200	10 3/4" x 5 1/2" x 1 1/8"
084210	10 3/4" x 5 1/2" x 1 3/8"
084300	12 5/8" x 5" x 1 3/8"

16.5 BALANCED BLOWER ASSEMBLY (Not Shown On Exploded View)

Consists of ODP 208/230/460/3 Motor, Motor Mounting Ring and Blower Wheel Balanced as an Assembly.

For C4 (5 HP)
 For C5 (7 1/2 HP)
 For C6/C7 (10 HP)
 For C8 (15 HP)

<u>ITEM NO.</u>	<u>PART NO.</u>	<u>DESCRIPTION</u>
-----------------	-----------------	--------------------

3

17 PANEL BOX HINGED TOPS

E24022	15 1/2" x 17"	E24120	15.5" x 17" Circuit Board
E24024	15 1/2" x 24"	E24122	15.5" x 24" Circuit Board
E24026	15 1/2" x 34"	E24124	15.5" x 34" Circuit Board
E24027	15 1/2" x 42"	E24127	15.5" x 42" Circuit Board
Or refer to As Built Spec Sheet			

17.1 PANEL BOX BODIES

E24001	15 1/2" x 17"	E24100	15.5" x 17" Circuit Board
E24002	15 1/2" x 24"	E24101	15.5" x 24" Circuit Board
E24003	15 1/2" x 34"	E24102	15.5" x 34" Circuit Board
E24004	15 1/2" x 42"	E24103	15.5" x 42" Circuit Board
Or refer to As Built Spec Sheet			

17.2 PANEL BOX CHASSIS PLATES (Not Shown On Exploded View)

E80301	15 1/2" x 17"	E80373	15.5" x 17" Circuit Board
E80310	15 1/2" x 24"	E80374	15.5" x 24" Circuit Board
E80320	15 1/2" x 34"	E80375	15.5" x 34" Circuit Board
E80325	15 1/2" x 42"	E80376	15.5" x 42" Circuit Board
Or refer to As Built Spec Sheet			

17.3 PANEL BOX DOORS

E20113	15 1/2" x 17"
E20123	15 1/2" x 24"
E20133	15 1/2" x 34"
E20136	15 1/2" x 42"
Or refer to As Built Spec Sheet	

PANEL BOX DOORS WITH VIEWPORT

E30003	15 1/2" x 17"	E31000	15.5" x 17" Circuit Board
E30015	15 1/2" x 24"	E31001	15.5" x 24" Circuit Board
E30016	15 1/2" x 34"	E31002	15.5" x 34" Circuit Board
E30017	15 1/2" x 42"	E31003	15.5" x 42" Circuit Board
Or refer to As Built Spec Sheet			

<u>ITEM NO.</u>	<u>PART NO.</u>	<u>DESCRIPTION</u>
-----------------	-----------------	--------------------

4

18 PANEL BOX MOUNTING BRACKETS

E10610	Integral
E10631	Remote Left
E10641	Remote Right
	Or refer to As Built Spec Sheet

18.1 PANEL BOX DOOR LATCH & KNOB

910500	Southco Latch
--------	---------------

18.2 - FLAME SAFEGUARD CONTROLS (Not Shown On Exploded View)

18.5

FIREYE

MEP SERIES

CONTROLS AND SUBBASE LESS PROGRAMMER AND AMPLIFIER

361000	MEC120 Chassis and Dustcover
372200	61-3060 Subbase

PROGRAMMERS

361150	MEP230 Recycle Control with Prepurge
361160	MEP230H Non-Recycle Control with Intermittent Pilot
361170	MEP560 Non-Recycle Control with Interrupted Pilot
361190	MEP562 Non-Recycle Control with Interrupted Pilot and Lockout on Airflow Failure

AMPLIFIERS

361310	MEUV4 Ultraviolet 4 Seconds F.F.R.T.
361370	MERT4 Rectification 3 Seconds F.F.R.T.

E SERIES

CONTROL AND SUBBASE LESS PROGRAMMER AND AMPLIFIER

372300	60-1386-2 Subbase
398420	ED510 Fireeye Display Module
398800	E110 Fireeye Chassis

<u>ITEM NO.</u>	<u>PART NO.</u>	<u>DESCRIPTION</u>
-----------------	-----------------	--------------------

5

PROGRAMMERS

398100	EP160	60 Seconds Supervised Prepurge Interrupted Ignition
398130	EP260	60 Seconds Prepurge Interrupted Ignition
398160	EP380	30 Seconds Prepurge Interrupted Ignition/Intermittent or Interrupted Pilot
398180	EP390	90 Seconds Prepurge Interrupted Ignition/Intermittent or Interrupted Pilot

DISPLAY/PROGRAMMERS

398820	EPD160	60 Seconds Supervised Prepurge Interrupted Ignition
398830	EPD260	60 Seconds Prepurge Interrupted Ignition
398840	EPD380	30 Seconds Prepurge Interrupted Ignition/Intermittent or Interrupted Pilot
398810	EPD390	90 Seconds Prepurge Interrupted Ignition/Intermittent or Interrupted Pilot

AMPLIFIERS

398200	ERT1	Rectification
398210	EUV1	Ultraviolet
398220	EIRI	Infrared
398230	EUVS4	Ultraviolet Self-Check

ACCESSORIES

398300	E300	Expansion Module
398310	E350-3	3 Foot Ribbon Connector Cable
398320	E350-6	6 Foot Ribbon Connector Cable
398350	60-1950	Wiring Base for E300 Expansion Module
398460	ED512-4	RJ 12 Connector Cable
398510	ED610	Multi-port Cable Adaptor
398490	E500-1	Communication Interface
398500	E500-3	Communication Interface
399000	E340	Boiler Room Control

6

<u>ITEM NO.</u>	<u>PART NO.</u>	<u>DESCRIPTION</u>
-----------------	-----------------	--------------------

HONEYWELL

R7184 SERIES

395350	R7184P-1049	– with 24 Volt Alarm Contact
395360	R7184P-1056	

R8184 SERIES

395250	R8184G-1294	
395260	R8184G-4090	

RM7800 SERIES

PRIMARY SAFETY CONTROLS, 4 OR 10 SECONDS PFEP, LESS BASE, AMPLIFIER AND TIMER

397700	RM7895C-1012	Interrupted Pilot
397710	RM7895A-1014	Intermittent Pilot
397740	RM7896C-1010	Interrupted Pilot with Postpurge
397750	RM7896A-1012	Intermittent Pilot with Postpurge
397770	RM7897A-1002	Intermittent Pilot with Programmable Postpurge
397780	RM7897C-1000	Intermittent Pilot with Programmable Postpurge

FLAME SAFEGUARD PROGRAMMER 4 OR 10 SECOND PFEP, WITH PROOF OF CLOSURE CIRCUIT, LESS BASE, AMPLIFIER AND TIMER, LESS DISPLAY

397500	RM7840E-1016	Same as RM7840L plus Energy Saving Prepurge
397510	RM7840G-1014	Recycle Interlock, Low Fire Interlock
397520	RM7840L-1018	Lockout Interlock, Purge and Low Fire Interlock
397521	RM7840L-1075	Lockout Interlock, Purge and Low Fire Interlock
397530	RM7840M-1017	Recycle Interlock, Low Fire Interlock

<u>ITEM NO.</u>	<u>PART NO.</u>	<u>DESCRIPTION</u>
-----------------	-----------------	--------------------

7

FLAME SAFEGUARD PROGRAMMER WITH DISPLAY, 4 OR 10 SECOND PFEP, WITH PROOF OF CLOSURE CIRCUIT, LESS BASE, AMPLIFIER AND TIMER

397540	RM7800E-1010	Same as RM7800L plus Energy Saving Prepurge
397550	RM7800G-1018	Recycle Interlock, Low Fire Interlock
397560	RM7800L-1012	Lockout Interlock, Purge and Low Fire Interlock
397561	RM7800L-1037	Lockout Interlock, Purge and Low Fire Interlock
397570	RM7800M-1011	Recycle Interlock, Low Fire Interlock

SUBBASES

400900	Q7800A-1005	Plastic (Internal) Mount
400910	Q7800B-1003	Metal (External) Mount
400920	Q7800B-1011	Metal Base with additional Conduit Knockouts

AMPLIFIERS

406910	R7847C-1005	Self Check, Ultraviolet, 3 Seconds
406920	R7848A-1008	Non Self Check, Infrared, 3 Seconds
406950	R7849A-1023	Non Self Check, Ultraviolet, 3 Seconds
406960	R7849B-1021	Dynamic Check, Ultraviolet, 3 Seconds
406970	R7848B-1006	Dynamic Check, Infrared, 3 Seconds
406990	R7851B	Solid State Ultraviolet, 2-3 Seconds

TIMING CARDS

407710	ST7800A-1039	30 Seconds
407720	ST7800A-1062	90 Seconds

OPTIONS

408001	S7800A-1142	Keyboard Display Module
--------	-------------	-------------------------

HONEYWELL REPLACEMENT CIRCUIT BOARDS

NOTE: REV. 2 CIRCUIT BOARD STARTED SHIPPING NOVEMBER 2005

SINGLE FUEL ON-OFF SYSTEM

939280	Main Circuit Board
939290	Main Circuit Board, Rev. 2
939300	Light & Switch Circuit Board
939310	Light & Switch Circuit Board, Rev. 2
939340	Interconnecting Cable
939325	Light & Switch Board Label

8

<u>ITEM NO.</u>	<u>PART NO.</u>	<u>DESCRIPTION</u>
<u>SINGLE FUEL MODULATION ODP</u>		
	939291	Main Circuit Board, Rev. 2, Modulation
	939281	Main Circuit Board
	939302	Light & Switch Circuit Board
	939312	Light & Switch Circuit Board, Rev. 2
	939340	Interconnecting Cable
	939323	Light & Switch Board Label
<u>SINGLE FUEL MODULATION 7895</u>		
	939282	Main Circuit Board
	939292	Main Circuit Board, Rev. 2, Modulation
	939302	Light & Switch Circuit Board
	939312	Light & Switch Circuit Board, Rev. 2
	939340	Interconnecting Cable
	939323	Light & Switch Board Label
<u>SINGLE FUEL LOW-HIGH-LOW</u>		
	939283	Main Circuit Board
	939293	Main Circuit Board, Rev. 2
	939304	Light & Switch Circuit Board
	939314	Light & Switch Circuit Board, Rev. 2
	939340	Interconnecting Cable
	939321	Light & Switch Board Label
<u>TWO FUEL ON-OFF</u>		
	939284	Main Circuit Board
	939294	Main Circuit Board, Rev. 2
	939301	Light & Switch Circuit Board
	939311	Light & Switch Circuit Board, Rev. 2
	939340	Interconnecting Cable
	939324	Light & Switch Board Label
<u>TWO FUEL MODULATION ODP</u>		
	939285	Main Circuit Board
	939295	Main Circuit Board, Rev. 2
	939303	Light & Switch Circuit Board
	939313	Light & Switch Circuit Board, Rev. 2
	939340	Interconnecting Cable
	939322	Light & Switch Board Label

<u>ITEM NO.</u>	<u>PART NO.</u>	<u>DESCRIPTION</u>
-----------------	-----------------	--------------------

TWO FUEL MODULATION 7895

939286		Main Circuit Board
939296		Main Circuit Board, Rev. 1
939303		Light & Switch Circuit Board
939313		Light & Switch Circuit Board, Rev. 2
939340		Interconnecting Cable
939322		Light & Switch Board Label

TWO FUEL LOW-HIGH-LOW

939287		Main Circuit Board
939297		Main Circuit Board, Rev. 2
939305		Light & Switch Circuit Board
939315		Light & Switch Circuit Board, Rev. 2
939340		Interconnecting Cable
939320		Light & Switch Board Label

BURNER LOGIX YB110 SERIES

SUBBASE AND CONTROL WITH AMPLIFIER

399332		60-2814-1 Open Subbase
399333		YB110UV Ultraviolet Non-self Check Control and Amp
399335		YB110UVSC Ultraviolet Self Check Control and Amp
399336		YB110IR Infrared Auto Check Control and Amp
399337		YB110FR Flame Rectification Control and Amp

PROGRAMMER

399330		YP100 Non-recycle, Modulation, Open Damper Providing 4 Second FFRT
--------	--	--

DISPLAYS

399339		BLV512 – 21: xx x 16 Characters, VFD, with Cable
399331		BLL510 – 21:xx x 16 Characters, LCD, with Cable

ACCESSORIES

399550		YZ300 Expansion Module
399334		60-2874-1 Open Subbase
398470		ED-580-4 – 4' Connection Cable

<u>ITEM NO.</u>	<u>PART NO.</u>	<u>DESCRIPTION</u>
-----------------	-----------------	--------------------

BURNER LOGIX ZB110 SERIES

SUBBASE AND CONTROL WITH AMPLIFIER

399340	60-2854-1	Open Subbase
399510	ZB1104V	Ultraviolet Non-self Check Control and Amp
399520	ZB110UVSC	Ultraviolet Self Check Control and Amp
399500	ZB110IR	Infrared Auto Check Control and Amp

FIREYE CIRCUIT BOARD AND INDIVIDUAL PARTS

CIRCUIT BOARDS

929280	Single Fuel Board	Loaded with Bypass and DS Relay
929281	Dual Fuel Board	Loaded with Fuel C/O and DS Relay

LIGHT AND SWITCH CKT BOARD

929300	Single Fuel Light and Switch	CKT Board
929301	Single Fuel Light and Switch	CKT Board, A/M Switch, Mod Pot
929302	Dual Fuel Light and Switch	CKT Board, Fuel C/O
929303	Dual Fuel Light and Switch	CKT Board, A/M Switch, Mod Pot

CABLE ASSEMBLY (SAME FOR BOTH SINGLE AND DUEL FUEL KITS)

929240	6 Conductor,	24 Inches
929241	8 Conductor,	24 inches

BYPASS RELAYS

929243	Single Fuel Bypass Relay	4PDT
929244	Single Fuel Bypass Relay	DPDT

FUEL C/O RELAYS

929245	Dual Fuel C/O	DPDT Relay
929246	Dual Fuel C/O	4PDT Relay
929247	Direct Spark	SPDT Relay

<u>ITEM NO.</u>	<u>PART NO.</u>	<u>DESCRIPTION</u>
-----------------	-----------------	--------------------

FIREYE CIRCUIT BOARD AND INDIVIDUAL PARTS – Cont'd

LABELS AND ACCESSORIES

929248	Switch Bezel
929249	Potentiometer Knob
929220	Single Fuel Label On-Off
929221	Single Fuel Label Mod
929222	Dual Fuel Label On-Off
929223	Dual Fuel Label Mod

SIGNAL LIGHTS – LENS CAP – FOR LIGHT CIRCUIT BOARDS

655900	Red
655901	Amber
655902	Green
655903	Blue
655904	White

LIGHT CIRCUIT BOARDS

939250	4 LED Annunciator
939251	4 LED Annunciator Label – Specify Light Functions
939260	6 LED Annunciator
939261	6 LED Annunciator Label – Specify Light Functions
939270	8 LED Annunciator
939271	8 LED Annunciator Label – Specify Light Functions

CIRCUIT BOARD RELAYS, FUSES AND MISC.

927700	GGG Glass 6 Amp Fuse
927701	GDL Glass 15 Amp Fuse
939410	Relay
939420	Relay Clip
939340	Cable
939343	Switch Frame
939344	Pot Knob

18.6 OPERATING AND LIMIT CONTROLS (Not Shown On Exploded View)

STEAM PRESSURE CONTROLS

434000	PA404A-1009 .5-9 PSI Range, .1-.6 kg, SPST Switch Breaks on Pressure Rise
432050	L404A-1354 2-15 PSI Range, 1-6 PSI Differential, SPST Switch, HW Pressuretrol, No Siphon

<u>ITEM NO.</u>	<u>PART NO.</u>	<u>DESCRIPTION</u>
18.6	<u>OPERATING AND LIMIT CONTROLS (Not Shown On Exploded View)- Cont'd</u>	
	<u>STEAM PRESSURE CONTROLS</u>	
432250	L404A-1396	10-150 PSI Range, 8-16 PSI Differential, SPST Switch, HW Pressuretrol, No Siphon
432700	L404C-1162	10-150 PSI Range, No Adjustment Differential, SPST Switch, HW Pressuretrol, Manual Reset
432800	L404C-1147	2-15 PSI Range, No Adjustment Differential, SPST Switch, HW Pressuretrol, Manual Reset, No Siphon
430400	L91B-1035	0-15 PSI Range, 1-12 Throttling Range, HW Proportioning Pressuretrol, Modulating
430500	L91B-1050	5-150 PSI Range, 5-23 Throttling Range, HW Proportioning pressuretrol, Modulating
	<u>WATER TEMPERATURE CONTROLS</u>	
420000	L4006A-1009	100°-240°F HW Aquastat
420300	L4006A-1678	100°-240°F 5°-30° Differential, Vertical HW Aquastat
420600	L4006E-1000	110°-290°F Manual Reset, Well Included HW Aquastat
422000	L6006A-1012	100°-240°F 5°-30° Adjustable Differential, HW Aquastat
423000	112622AA,	Immersible Well for HW T991A-1/2"
423050	112630AA,	Immersible Well for HW T991A-3/4"
440500	T991A-1061	160°-260°F, Modulating 5' Element, HW Thermostat
440600	T991A-1079	160°-260°F, Modulating 20' Element, HW Thermostat
423150	121371A	1/2" Well for L4006
423300	121371A	3/4" Well for L4006
18.7	<u>RELAYS (Not Shown On Exploded View)</u>	
553910	Socket for KUP Relay 555200	
554530	KUP14A55 3 PDT	
555500	PT320615 Schrak 3PF7	
555501	Schrak Relay Clip	
555510	PT78730 Schrak Relay Base	
556280	TGMLB115SC2 (Delay on Break) 15 Seconds	
556370	TGC105SC1 (Delay on Make) 5 Seconds	
556420	THC105SC (Delay on Make) 5 Seconds	
556290	THCU1023E (Delay on Make) Airotronics 1-1023 Seconds	
556430	THCU1300SC (Delay on Make) Airotronics 5 Minutes	
556380	TBC1012 (Delay on Make) Airotronics 12 Seconds	
556540	RTE-B12 (Delay on Make) 120 Volt IDEC Timer	
556480	SR3B-05 Socket for use with RTEL-BN2 Timer	

ITEM NO.	PART NO.	DESCRIPTION
18.7	<u>RELAYS (Not Shown On Exploded View) – Cont'd</u>	
	551000	TDM120AL 1-1023 on Delay SSAC
	553900	OT08-PC Connector 8 pn Socket for KRP
	556530	TGML B1100A2 (Delay on Make) Airotronics 1-100 Seconds
	555200	KUP14A15-120 3PDT Relay
	555000	SAS5S110AD Crouzet (Delay on Make) 5 Seconds
	555010	SASSP100S110AD Crouzet (Delay on Make) 1–100 Seconds
	555020	SAS300S110AD Crouzet (Delay on Make) 300 Seconds
	555030	SASP1000S110AD Crouzet (Delay on Make) 10-1000 Seconds
	554800	G7L-1A-T-CB-AC 100/120 Omron SPST
	554900	P7LF-D Omron Socket – Din Rail Mount for 554800
	556190	FS126RC SSAC Solid State Flasher
	555070	MAR1 Time Delay (Delay on Make) 1 Second to 100 Hours

18.8 CONTACTORS - SIEMENS

	576000	2/3/5/7.5HP 9A IND 40A Res 120V Coil, 3RT1023-1AK60 & 3RH1921-1DA11
	576010	3/3/5/7.5HP 9A IND 40A Res 240V Coil, 3RT1023-1AP60 & 3RH1921-1DA11
	576020	3/3/7.5/10HP 12A IND 40A Res 120V Coil, 3RT1024-1AK60 & 3RH1921-1DA11
	576030	3/3/7.5/10HP 12A IND 40A Res 240V Coil, 3RT1024-1AP60 & 3RH1921-1DA11
	576040	5/5/10/15HP 17A IND 40A Res 120V Coil, 3RT1025-1AK60 & 3RH1921-1DA11
	576050	5/5/10/15HP 17A IND 40A Res 240V Coil, 3RT1025-1AP60 & 3RH1921-1DA11
	576060	7.5/7.5/15/20HP 25A IND 40A Res 120V Coil, 3RT1026-1AK60 & 3RH1921-1DA11
	576070	7.5/10/20/25HP 28A IND 35A Res 120V Coil, 3RT1033-1AK60 & 3RH1921-1DA11
	576080	7.5/7.5/15/20HP 25A IND 40A Res 240V Coil, 3RT1026-1AP60 & 3RH1921-1DA11
	576090	7.5/10/20/25HP 28A IND 35A Res 240V Coil, 3RT1033-1AP60 & 3RH1921-1DA11
	576100	10/10/25/30HP 32A IND 50A Res 120V Coil, 3RT1034-1AK60 & 3RH1921-1DA11
	576110	10/10/25/30HP 32A IND 50A Res 240V Coil, 3RT1034-1AP60 & 3RH1921-1DA11
	576120	10/15/30/40HP 40A IND 60A Res 120V Coil, 3RT1035-1AK60 & 3RH1921-1DA11

<u>ITEM NO.</u>	<u>PART NO.</u>	<u>DESCRIPTION</u>
18.8	<u>CONTACTORS – SIEMENS – Cont'd</u>	
576130		10/15/30/40HP 40A IND 60A Res 240V Coil, 3RT1035-1AP60 & 3RH1921-1DA11
576140		15/15/40/50HP 50A IND 55A Res 120V Coil, 3RT1036-1AK60 & 3RH1921-1DA11
576150		15/15/40/50HP 50A IND 55A Res 240V Coil, 3RT1036-1AP60 & 3RH1921-1DA11
576160		20/25/50/60HP 65A IND 100A Res 120V Coil, 3RT1044-1AK60 & 3RH1921-1DA11
576170		20/25/50/60HP 65A IND 100A Res 240V Coil, 3RT1044-1AP60 & 3RH1921-1DA11
576180		25/30/60/75HP 80A IND 120A Res
576190		25/30/60/75HP 80A IND 120A Res 240V Coil, 3RT1045-1AP60 & 3RH1921-1DA11
576200		30/30/75/100HP 95A IND 120A Res 120V Coil, 3RT1046-1AK60 & 3RH1921-1DA11
576210		30/30/75/100HP 95A IND 120A Res 240V Coil, 3RT1046-1AP60 & 3RH1921-1DA11
576220		40/50/100/125HP 115A IND 160A Res 120V Coil, 3RT1054-6AF36 & (2)3RT1956-4G
576230		40/50/100/125HP 115A IND 160A Res 240V Coil, 3RT1054-6AF36 & (2)3RT1956-4G
576240		50/60/125/150HP 150A IND 185A Res 120V Coil, 3RT1055-6AF36 & (2)3RT1956-4G
576250		50/60/125/150HP 150A IND 185A Res 240V Coil, 3RT1055-6AF36 & (2)3RT1956-4G
576260		60/75/150/200HP 225A IND 275A Res 120V Coil, 3RT1064-6AF36 & (2)3RT1966-4G
576270		60/75/150/200HP 225A IND 275A Res 240V Coil, 3RT1064-6AF36 & (2)3RT1966-4G
576280		3P,9A, 5HP @ 460V AC, 120V Coil, 1 N.O. included, 3RT1016-1AK61
576290		3P,9A, 5HP @ 460V AC, 240V Coil, 1 N.O. included, 3RT1016-1AP61

18.9 MOTOR STARTERS - SIEMENS

577000		1.5/2/3/5HP 0.46-0.63A 120V Coil, 3RT1015-1AK61 & 3RU1116-OGBO
577010		1.5/2/3/5HP 0.46-0.63A 240V Coil, 3RT1015-1AP61 & 3RU1116-OGBO
577020		1.5/2/3/5HP 0.7-1A 120V Coil, 3RT1015-1AK61 & 3RU1116-OJBO
577030		1.5/2/3/5HP 0.7-1A 240V Coil, 3RT1015-1AP61 & 3RU1116-OJBO
577040		1.5/2/3/5HP 1.1-1.6A 120V Coil, 3RT1015-1AK61 & 3RU1116-1ABO
577050		1.5/2/3/5HP 1.1-1.6A 240V Coil, 3RT1015-1AP61 & 3RU1116-1ABO
577060		1.5/2/3/5HP 1.4-2.0A 120V Coil, 3RT1015-1AK61 & 3RU1116-1BBO

<u>ITEM NO.</u>	<u>PART NO.</u>	<u>DESCRIPTION</u>
18.9	<u>MOTOR STARTERS – SIEMENS – Cont'd</u>	
577070		1.5/2/3/5HP 1.4-2.0A 240V Coil, 3RT1015-1AP61 & 3RU1116-1BBO
577080		2/3/5/7.5HP 1.8-2.5A 120V Coil, 3RT1016-1AK61 & 3RU1116-1CBO
577090		2/3/5/7.5HP 1.8-2.5A 240V Coil, 3RT1016-1AP61 & 3RU1116-1CBO
577100		2/3/5/7.5HP 2.2-3.2A 120V Coil, 3RT1016-1AK61 & 3RU1116-1DBO
577110		2/3/5/7.5HP 2.2-3.2A 240V Coil, 3RT1016-1AP61 & 3RU1116-1DBO
577120		2/3/5/7.5HP 2.8-4A 120V Coil, 3RT1016-1AK61 & 3RU1116-1EBO
577130		2/3/5/7.5HP 2.8-4A 240V Coil, 3RT1016-1AP61 & 3RU1116-1EBO
577140		2/3/5/7.5HP 3.5-5A 120V Coil, 3RT1016-1AK61 & 3RU1116-1FBO
577150		2/3/5/7.5HP 3.5-5A 240V Coil, 3RT1016-1AP61 & 3RU1116-1FBO
577160		2/3/5/7.5HP 4.5-6.3A 120V Coil, 3RT1016-1AK61 & 3RU1116-1GBO
577170		2/3/5/7.5HP 4.5-6.3A 240V Coil, 3RT1016-1AP61 & 3RU1116-1GBO
577180		2/3/5/7.5HP 5.5-8A 120V Coil, 3RT1016-1AK61 & 3RU1116-1HBO
577190		2/3/5/7.5HP 5.5-8A 240V Coil, 3RT1016-1AP61 & 3RU1116-1HBO
577200		3/3/7.5/10HP 7-10A 120V Coil, 3RT1071-1AK61 & 3RU1116-1JBO
577210		3/3/7.5/10HP 9-12.5A 120V Coil, 3RT1024-1AK60 & 3RH1921-1DA11 & 3RU1126-1KBO
577220		3/3/7.5/10HP 7-10A 240V Coil, 3RT1017-1AP61 & 3RU1116-1JBO
577230		3/3/7.5/10HP 9-12.5A 240V Coil, 3RT1024-1AP60 & 3RH1921-1DA11 & 3RU1126-1KBO
577240		5/5/10/15HP 9-12.5A 120V Coil, 3RT1025-1AK60 & 3RH1921-1DA11 & 3RU1126-1KBO
577250		5/5/10/15HP 9-12.5A 240V Coil, 3RT1025-1AP60 & 3RH1921-1DA11 & 3RU1126-1KBO
577260		5/5/10/15HP 11-16A 120V Coil, 3RT1025-1AK60 & 3RH1921-1DA11 & 3RU1126-4ABO
577270		5/5/10/15HP 11-16A 240V Coil, 3RT1025-1AP60 & 3RH1921-1DA11 & 3RU1126-4ABO
577280		5/5/10/15HP 14-20A 120V Coil, 3RT1025-1AK60 & 3RH1921-1DA11 & 3RU1126-4BBO
577290		5/5/10/15HP 14-20A 240V Coil, 3RT1025-1AP60 & 3RH1921-1DA11 & 3RU1126-4BBO
577300		7.5/7.5/15/20HP 14-20A 120V Coil, 3RT1026-1AK60 & 3RH1921-1DA11 & 3RU1126-4BBO
577310		7.5/10/20/25HP 14-20A 120V Coil, 3RT1033-1AK60 & 3RH1921-1DA11 & 3RU1136-4BBO
577320		7.5/7.5/15/20HP 14-20A 240V Coil, 3RT1026-1AP60 & 3RH1921-1DA11 & 3RU1126-4BBO
577330		7.5/10/20/25HP 14-20A 240V Coil, 3RT1033-1AP60 & 3RH1921-1DA11 & 3RU1136-4BBO
577340		7.5/7.5/15/20HP 20-25A 120V Coil, 3RT1026-1AK60 & 3RH1921-1DA11 & 3RU1126-4DBO

<u>ITEM NO.</u>	<u>PART NO.</u>	<u>DESCRIPTION</u>
18.9	<u>MOTOR STARTERS – SIEMENS – Cont'd</u>	
577350		7.5/10/20/25HP 18-25A 120V Coil, 3RT1033-1AK60 & 3RH1921-1DA11 & 3RU1136-4DBO
577360		7.5/7.5/15/20HP 20-25A 240V Coil, 3RT1026-1AP60 & 3RH1921-1DA11 & 3RU1126-4DBO
577370		7.5/10/20/25HP 240V Coil, 3RT1033-1AP60 & 3RH1921-1DA11 & 3RU1136-4DBO
577380		10/10/25/30HP 22-32A 120V Coil, 3RT1034-1AK60 & 3RH1921-1DA11 & 3RU1136-4EBO
577390		10/10/25/30HP 22-32A 240V Coil, 3RT1034-1AP60 & 3RH1921-1DA11 & 3RU1136-4EBO
577400		10/15/30/40HP 18-25A 120V Coil, 3RT1035-1AK60 & 3RH1921-1DA11 & 3RU1136-4DBO
577410		10/15/30/40HP 18-25A 240V Coil, 3RT1035-1AP60 & 3RH1921-1DA11 & 3RU1136-4DBO
577420		10/15/30/40HP 22-32A 120V Coil, 3RT1035-1AK60 & 3RH1921-1DA11 & 3RU1136-4EBO
577430		10/15/30/40HP 22-32A 240V Coil, 3RT1035-1AP60 & 3RH1921-1DA11 & 3RU1136-4EBO
577440		10/15/30/40HP 28-40A 120V Coil, 3RT1035-1AK60 & 3RH1921-1DA11 & 3RU1136-4FBO
577450		10/15/40/50HP 28-40A 240V Coil, 3RT1035-1AP60 & 3RH1921-1DA11 & 3RU1136-4FBO
577460		15/15/40/50HP 28-40A 120V Coil, 3RT1036-1AK60 & 3RH1921-1DA11 & 3RU1136-4FBO
577470		15/15/40/50HP 28-40A 240V Coil, 3RT1036-1AP60 & 3RH1921-1DA11 & 3RU1136-4FBO
577480		15/15/40/50HP 40-50A 120V Coil, 3RT1036-1AK60 & 3RH1921-1DA11 & 3RU1136-4HBO
577490		15/15/40/50HP 40-50A 240V Coil, 3RT1036-1AP60 & 3RH1921-1DA11 & 3RU1136-4HBO
577500		20/25/50/60HP 45-63A 120V Coil, 3RT1044-1AK60 & 3RH1921-1DA11 & 3RU1136-4JBO
577510		20/25/50/60HP 45-63A 240V Coil, 3RT1044-1AP60 & 3RH1921-1DA11 & 3RU1136-4JBO
577520		30/30/75/100HP 25-100A 120V Coil, 3RT1023-1AK60 & 3RB1046 -2EBO
577530		25/30/60/75HP 25-100A 120V Coil, 3RT1045-1AK60 & 3RB1046 - 2EBO
577540		10/15/30/40HP 13-50A 120V Coil, 3RT1035-1AK60 & 3RB1036 - 2UBO

ITEM NO.	PART NO.	<u>DESCRIPTION</u>
18.13	<u>LIGHTS</u>	

SIGNAL LIGHTS - Rectangular

654000	White 120V Oslo
654010	Amber 120V Oslo
654020	Red 120V Oslo
654030	Blue 120V Oslo
654040	Green 120V Oslo

SIGNAL LIGHTS - 1" (Glass)

653050	Dialco Bulb
657110	Dialco Red Lens
657120	Dialco Green Lens
657130	Dialco Amber Lens
657140	Dialco Blue Lens
657150	Dialco White Lens
657100	Dialco Base (oil tight)

DIRECTOR LIGHTS AND ACCESSORIES

655700	5SD1LRN1/36 1/2" Red
655710	5SD1LAN1/36 1/2" Amber
655720	5SD1LBZ1/36 1/2" Blue
655730	5SD1LGX1/36 1/2" Green
655740	5SD1LWN White
655750	1/2" Timmerman Clip
938900	60843-1 2 Circuit Commoning Tab
938910	60842-1 3 Circuit Commoning Tab
938920	60620-1 Loose Piece Pin
938930	60619-1 Loose Piece Socket
938940	1-480324-O Pin Housing
938950	1-480323-O Socket Housing

18.14 CONTROL SWITCHES

140400	SPST Control Circuit - Toggle
140700	SPST Control - Rocker
140710	DPDT Momentary Rocker
140720	DPDT No Center Off Rocker
140730	DPDT Center Off Rocker
140740	N.O. Pushbutton
140750	N.C. Momentary Pushbutton

<u>ITEM NO.</u>	<u>PART NO.</u>	<u>DESCRIPTION</u>
-----------------	-----------------	--------------------

18.15 SWITCHES

X01010	Blast Tube Temperature Sensing Switch
140020	4PDT Fuel Selector Switch, Cutler Hammer
140300	DPDT No Center Off Manual-Auto
141690	SPDT Center Off Hands Off Auto

PUSH TO TEST SWITCHES

931730	52BAJ Furnace N.C. Contact Block
931700	52PA8A1 Furnace Push Button Operator
142100	No. 100 N.O. SPST Push Button

NEMA 4

931290	9001-KS11 2 pos SQD Selector Switch
931300	9001-KS43 3 pos SQD Selector Switch
658400	9001 KR-1U SQD Push Button
931400	9001 KA1 SQD SPDT Contact
931350	9001 B11 Black Operator Knob
931620	9001 KN200 BP SQD Legend Plate
931450	9001 KA2 SPST SQD Contact Block

18.16 TERMINAL STRIPS

610350	KT3 3 Pole 600V Connectron Terminal Block
610360	KAD End Mounting Adaptor
610370	MT 12 1/2" Marking Strip
612010	D6/8 ADO 14-16 GA, Screw Terminal Grey Block
612040	10 Pole Jumper Bar for D6/8 Block
612070	M10/10 Screw Terminal, 6-20 GA, 65 A
612080	End Section for M10/10
612090	M35/16, 0-16 GA, 150 A
612100	End Section for M35/16
612110	MTC6 Thermocouple Block
612120	End Section for MTC 6 Block
612130	D6/8 ADO 14-16 GA Screw Terminal Red
612140	D4/6 ADO, 16-22 GA ADO Screw Terminal Ivory
612200	M6/8, Terminal Block, 50 Amp, 8-22 GA Screw

18.17 MICRO SWITCH

141200	BZE6-2RQ
X02383	Damper Micro Switch Cam

<u>ITEM NO.</u>	<u>PART NO.</u>	<u>DESCRIPTION</u>
-----------------	-----------------	--------------------

18.18 STEPDOWN TRANSFORMERS

333001	500VA KT0500Z1 208/230/460/120 with Fuse Blocks
333006	500VA 575/120 KT0500Z2
333830	TA-2-69306 750VA 208/230/460
335000	EL9J 500VA 600/120 (External Mount)
332100	AT72D-1089 120/24 (Modulating Motor) (Panel Mount)
333950	500VA 230/460/115 (Panel Mount)
333960	500VA 208/115 (Panel Mount)
334990	500VA 208/120 (External Mount)
335100	500VA 240/480/115/240 (External Mount)
333790	TA-2-32406 500VA 600/575/550/480/415/300/240/208
333001	500VA 208/230/460 to 120V
333006	500VA 575 to 120V

18.19 CONTROL CIRCUIT FUSES 600 VOLT – CC CLASS

611731	1 Pole CC Class Fuseblock
611740	2 Pole CC Class Fuseblock
611750	3 Pole CC Class Fuseblock
925000	ATMR4 4 Amp, 600V Non-Motor Rated Ferraz Shawmut Fuse
925010	ATMR5 5 Amp, 600V Non-Motor Rated Ferraz Shawmut Fuse
925020	ATMR6 6 Amp, 600V Non-Motor Rated Ferraz Shawmut Fuse
925070	ATMR10 10 Amp, 600V Non-Motor Rated Ferraz Shawmut Fuse
925080	ATMR15 15 Amp, 600V Non-Motor Rated Ferraz Shawmut Fuse

STEPDOWN AND MOTOR FUSES – CC CLASS

926000	ATDR-3 3 Amp Ferraz Shawmut Low Peak Dual Element Time Delay Fuse
926030	ATDR-2 2 Amp Ferraz Shawmut Low Peak Dual Element Time Delay Fuse
926060	ATDR-4 4 Amp Ferraz Shawmut Low Peak Dual Element Time Delay Fuse
926120	ATDR-5 5 Amp Ferraz Shawmut Low Peak Dual Element Time Delay Fuse
926130	ATDR-2.8 2.8 Amp Ferraz Shawmut Low Peak Dual Element Time Delay Fuse
926140	ATDR-6 6 Amp Ferraz Shawmut Low Peak Dual Element Time Delay Fuse
926150	ATDR-8 8 Amp Ferraz Shawmut Low Peak Dual Element Time Delay Fuse
926160	ATDR-9 9 Amp Ferraz Shawmut Low Peak Dual Element Time Delay Fuse

ITEM NO.	PART NO.	DESCRIPTION
<u>STEPDOWN AND MOTOR FUSES – CC CLASS – Cont'd</u>		
926110		ATDR-10 10 Amp Ferraz Shawmut Low Peak Dual Element Time Delay Fuse
926070		ATDR-15 15 Amp Ferraz Shawmut Low Peak Dual Element Time Delay Fuse
926050		ATDR-20 20 Amp Ferraz Shawmut Low Peak Dual Element Time Delay Fuse
926090		ATDR-25 25 Amp Ferraz Shawmut Low Peak Dual Element Time Delay Fuse
926080		ATDR-30 30 Amp Ferraz Shawmut Low Peak Dual Element Time Delay Fuse

18.20 POTENTIOMETERS

480170	270 OHM (Limiting)
480200	150 OHM (Manual)
480560	Knob
912360	Label

18.21 METERS

470550	0-25 DC Volt, TFM, UVP, UVM, D Series (Panel Mount)
471100	0-50 Microammeter (Panel Mount), Triplett
930500	117053 Cable Connector for Microammeter

18.22 ENGRAVED LABELS - ADHESIVE BACK

913100	210-221 1/16" x 1/2" x 2" Blank (Specify Verbiage Required When Ordering)
--------	---

18.23 PRESSURE SENSITIVE PREPRINTED LABELS - 1/2" X 2"

914000	Control
914010	Power On
914020	Main Fuel
914030	Manual-Auto
914040	Manual-Pot
914050	Fuel Valve
914060	Low Fire Hold
914070	Alarm Silencing
914080	Flame Failure
914090	Service Switch
914100	Call for Heat

<u>ITEM NO.</u>	<u>PART NO.</u>	<u>DESCRIPTION</u>
18.23	<u>PRESSURE SENSITIVE PREPRINTED LABELS - 1/2" X 2" – Cont'd</u>	

914110	Ignition On
914120	Low Water
914130	Pilot Failure
914140	Oil-Auto
914150	Oil-Gas
914160	Pilot On
914170	On-Off
914180	No. 1 Lead, No. 2 Lead
914190	Flame Out
912350	Caution
912310	Power Flame Logo
912380	Copper Conductor
Consult Factory for Additional Labels	

19 PUMP COUPLING ADAPTORS

X04000	5/8" x 1/2" for Integral Pump and 56C Motor
C13182	7/8" x 1/2" for Integral Pump and 145 Motor
X02564	7/8" x 1/2" x 5" for C4 Integral Pump

19.1 PUMP BUSHINGS

122500	7/16" x 5/16" for 2 Step Suntec Pump
M10350	7/16" x .315" for Combu Pumps

20 PUMP COUPLINGS, INTEGRALLY MOUNTED PUMPS

120000	31PG 4 1/2" x 1/2" x 7/16" for C1 (Appropriate Bushing required - See 19.1)
120100	31PG 5 1/2" x 1/2" x 7/16" for C2 (Appropriate Bushing required - See 19.1)
C14100	31PG 7 1/2" x 1/2" x 7/16" for C3, 4 with Integral Pump (Includes Reinforcing Piece)
121100	ALO-90 5/8" x 7/16" for C3, 4, 5, 6 with Remote Pump

20.1 PUMP COUPLINGS, PARTS

X02550	Reinforcing Piece for C14100
123000	36" Length Rubber Body Only
120400	7/16" Metal End Only
120500	1/2" Metal End Only

<u>ITEM NO.</u>	<u>PART NO.</u>	<u>DESCRIPTION</u>
21	<u>OIL PUMPS - (FUEL UNITS) 300 PSI</u>	
	<u>SUNTEC</u>	
	100000	H3PAN-C160H 14 GPH - 3450 RPM
	100200	H4PAN-C161H 23 GPH - 3450 RPM
	100310	H6PAN-C154H 45 GPH - 3450 RPM
	100400	H8KCN-C200H 55 GPH - 1750 RPM
	100800	B2TA-8850-N642R 10 GPH - 2 Step - 3450 RPM
	100850	B2TA-8851-N642R 16 GPH - 2 Step - 3450 RPM
	100910	B2TA-8249 16 GPH - 3450 RPM
	100950	B2TA-8852-N642L 23 GPH - 2 Step - 3450 RPM
	<u>WEBSTER</u>	
	101600	2R626D-5C14 50 GPH - 1725 RPM
	101800	2V026C-5D020 95 GPH - 1725 RPM
	101900	V026C-4D020 95 GPH - 1725 RPM
	102500	22R221D-5C14 20 GPH - 3450 RPM
	102600	22R322D-5AA14 34 GPH - 3450 RPM
	102700	22R623D-5AA14 56 GPH - 3450 RPM
	<u>COMBU</u>	
	105010	CV4RR25 25 GPH - 3450 RPM
21.2 THRU 21.5	<u>REMOTE OIL PUMP PARTS</u>	
	120000	31PG Coupling for C1 (Appropriate Bushing required - see below)
	120100	31PG Coupling for C2 (Appropriate Bushing required - see below)
	121100	ALO-90 Coupling for Remote Suntec H Pump and Webster Pumps
	122500	Bushing for 12000 and 12010 Coupling with Suntec Pump
	M10350	Bushing for 12000 and 12010 Coupling with Combu Pump
	C13180	Pump Stand
	102350	Combu Remote Fuel Unit Stand
	102360	Remote Pump Adaptor Plate
	100100	Suntec Adaptor Flange (Not Shown On Exploded View)
	X02095	1/8 90° BR Street EL 116A-A
	C13186	Remote Pump Stand Coverplate
	(Refer to Item Numbers (15) and (21) for Motors and Pumps)	

<u>ITEM NO.</u>	<u>PART NO.</u>	<u>DESCRIPTION</u>
21.6	<u>OIL PRESSURE SWITCHES (Not Shown On Exploded View)</u>	
	151000	DAF31-3 Range 9 Mercoid
	151050	DAF31-153 Range 9 Mercoid
	151600	B424V XG6 Ashcroft
21.7	<u>OIL FILTERS, ELEMENTS AND "O" RINGS (Not Shown On Exploded View)</u>	
	<u>COMBU OIL FILTERS - GENERAL PURPOSE - ALUMINUM</u>	
	985390	70101-100, 100 Micron, 1" NPT, 320 GPH, 0.5" Mercury
	985400	70101-300, 300 Micron, 1" NPT, 320 GPH, 0.5" Mercury
	<u>COMBU OIL FILTER ELEMENTS - STAINLESS STEEL</u>	
	985880	70310-60 Pleated S.S. Element for 70311-60
	985930	70100-100 Pleated S.S. Element for 70101-100
	985940	70100-300 Pleated S.S. Element for 70101-300
	<u>COMBU OIL FILTER "O" RINGS</u>	
	985960	For 70361 and 70311
	985970	For 70101
	<u>FULFLO OIL FILTERS WITH FIBER CARTRIDGE, 3/8" NPT</u>	
	734100	FB6
	734200	FB10
21.8	<u>SIMPLEX OIL STRAINERS (Not Shown On Exploded View)</u>	
	<u>KRAISL CAST IRON 125# WITH 100 MESH BASKET</u>	
	732920	#72-07 1"
	732930	#72-03 1/2"
	732960	#72-11 1 1/2"

ITEM NO.	PART NO.	DESCRIPTION
22	<u>OIL VALVES, BRACKETS, BOXES</u>	
THRU		
22.6	X02501	U-28-38-22-12 1/8" Oil Valve 300 PSI
	X02504	1/4" UACF2NV Oil Valve 300 PSI
	X02505	E7LUS 1/8" Oil Valve 15 GPH 300 PSI
	X02508	U-31-30-22-12 1/8" 3 Way Oil Valve 300 PSI
	X02518	NM22057101 1/4" 300 PSI
	X02520	MCBV-BB Oil Regulator with Fittings
	C13190	3/8" Single Oil Valve Bracket (Not Shown On Exploded View)
	C84210	3 Hole Valve Junction Box Less Cover
	C84220	4 Hole Valve Junction Box Less Cover
	C83070	3 Hole Valve Junction Box Cover for C84210
	C83100	4 Hole Valve Junction Box Cover for C84220
	211450	HOV1A3021171 N.C. 1/2" Valve with Proof of Closure
	X02503	1/8" S311AF02V2AC9
	202490	SV401A02V9B7 1/4"

22.7 OIL PRESSURE GAUGE (Not Shown On Exploded View)

465200	0-400 PSI 2 1/2" Dial
460010	0-60# 2 1/2" Dial
460200	0-100# 2 1/2" Dial
465250	0-100# 2" Dial
465300	0-100# 2 1/2" Dial Liquid Filled
465360	0-600# 2 1/2" Dial Liquid Filled
460040	0-60# 4 1/2" Dial
464040	0-400# 4" Dial

VACUUM GAUGE

462050	0-30# 2 1/2" Dial
462060	0-30# 4" Dial

23 OIL IGNITION TRANSFORMERS

321000	120/10,000 Volt
321100	120/10,000 Volt Epoxy
323100	120/12,000 Volt
323200	120/12,000 Volt Epoxy
321050	120/10,000 Volt 50 Cycle

24 PHOTOCELL MOUNTING BRACKET

C24070	Mounting Bracket
--------	------------------

ITEM NO. PART NO. DESCRIPTION

25 OIL GUN ASSEMBLIES

Refer to As Built Spec Sheet

25.1 GAS GUN ASSEMBLIES

Includes
Diffuser
Part #

C95058	C23010	C1
C95068	C23110	C2
C95069	C23150	C2 3PV - Spinner Mounted Scanner
C95073	C23210	C3
C95074	C23250	C3 3PV - Spinner Mounted Scanner
C30409	C23379	C4/5 Spinner Mounted Scanner
C30099	C23377	C5B Gun Mounted Pilot (F30150), Spinner Mounted Scanner
C30414	C29931	C6 Gun Mounted Pilot (F30150), Spinner Mounted Scanner
C30600	C29931 & C7	
	F30150	
C30604	C29931 & C8	
	F30150	

Or refer to As Built Spec Sheet

26 OIL IGNITION ELECTRODES - (ORDER IN PAIRS)

C14025	Jacobs Ladder Electrodes Pair for use with 5/8" Hex Nozzle
C14022	Jacobs Ladder Electrodes Pair for use with 13/16" Hex Nozzle

27 OIL NOZZLES

DEHAVAN TYPE B - SIMPLEX

45 Degrees

533050	3.50 GPH
533020	4.50 GPH

60 Degrees

531390	2.00 GPH
531540	2.25 GPH
531440	2.50 GPH
531430	3.00 GPH

70 Degrees

532480	8.00 GPH
532830	8.50 GPH
533090	9.00 GPH
532840	9.50 GPH
532790	10.00 GPH
532870	11.00 GPH
533120	12.00 GPH
532820	13.00 GPH

<u>ITEM NO.</u>	<u>PART NO.</u>	<u>DESCRIPTION</u>
27	<u>OIL NOZZLES – Cont'd</u>	
	<u>DELVAN TYPE B - SIMPLEX</u>	
	<u>60 Degrees</u>	
	531490	3.25 GPH
	531510	3.50 GPH
	531530	4.00 GPH
	531560	4.50 GPH
	531460	5.00 GPH
	531470	5.50 GPH
	531480	6.50 GPH
	532910	7.00 GPH
	532730	9.50 GPH
	533070	10.00 GPH
	532860	11.00 GPH
	532740	12.00 GPH
	532690	13.00 GPH
	<u>70 Degrees</u>	
	531420	2.00 GPH
	532940	2.50 GPH
	532240	3.00 GPH
	532960	3.25 GPH
	532980	3.50 GPH
	531520	4.00 GPH
	531570	4.50 GPH
	532900	5.00 GPH
	532890	5.50 GPH
	533130	6.00 GPH
	532930	6.50 GPH
	532920	7.00 GPH
	<u>80 Degrees</u>	
	532100	2.00 GPH
	532150	2.25 GPH
	532200	2.50 GPH
	532250	3.00 GPH
	532260	3.25 GPH
	532300	3.50 GPH
	532350	4.00 GPH
	532400	4.50 GPH
	532450	5.00 GPH
	532500	5.50 GPH
	532550	6.00 GPH
	<u>80 Degrees</u>	
	532700	6.50 GPH
	532760	7.00 GPH
	532710	7.50 GPH
	532770	8.00 GPH
	532720	8.50 GPH
	532780	9.00 GPH
	532850	9.50 GPH
	532800	10.00 GPH
	532810	11.00 GPH
	533110	12.00 GPH
	532880	13.00 GPH
	532750	14.00 GPH
	533080	17.00 GPH
	<u>90 Degrees</u>	
	532950	2.50 GPH
	532970	3.25 GPH
	532990	3.50 GPH
	533000	5.00 GPH

ITEM NO. PART NO. DESCRIPTION

DELAVAN VARIFLOW BYPASS

70 Degrees

533400 80.00 GPH 30637-2
 533410 90.00 GPH 30637-6
 533420 100.00 GPH 30637-10

80 Degrees

532570 12.00 GPH 33769-73
 532580 14.00 GPH 33769-77
 532610 16.00 GPH 33769-80
 530900 30.00 GPH 30630-17-1637
 530910 35.00 GPH 30630-22-1637
 530920 37.50 GPH 30630-54-1637
 531000 40.00 GPH 30630-27-1637
 531050 45.00 GPH 30630-32-1637

HAGO BYPASS

60 Degrees

535160 12.00 GPH
 535170 13.50 GPH
 535180 15.50 GPH
 535190 17.50 GPH
 535200 19.50 GPH
 535210 21.50 GPH
 535220 24.00 GPH
 535230 28.00 GPH
 535240 30.00 GPH
 535250 35.00 GPH
 535260 40.00 GPH
 535270 45.00 GPH
 535280 50.00 GPH
 535290 15.00 GPH

HAGO BYPASS

60 Degrees

535020 3.00 GPH
 535030 3.50 GPH
 535040 4.00 GPH
 535060 5.00 GPH
 535060 5.50 GPH
 535070 6.00 GPH
 535080 6.50 GPH
 535090 7.00 GPH
 535100 7.50 GPH
 535110 8.00 GPH
 535120 8.50 GPH
 535130 9.00 GPH
 535140 9.50 GPH
 535150 10.50 GPH

80 Degrees

535550 5.00 GPH
 535560 5.50 GPH
 535570 6.00 GPH
 535580 6.50 GPH
 535590 7.00 GPH
 535600 7.50 GPH
 535610 8.00 GPH
 535620 9.00 GPH
 535630 9.50 GPH
 535640 10.50 GPH
 535910 11.00 GPH
 535810 11.50 GPH
 535650 12.00 GPH
 535820 12.50 GPH

HAGO BYPASS

80 Degrees

535830 13.00 GPH
 535660 13.50 GPH
 535840 14.00 GPH
 535850 15.00 GPH
 535670 15.50 GPH
 535860 16.00 GPH
 535680 17.50 GPH

MONARCH F-80 BYPASS

80 Degrees

520050 5.00 GPH
 520060 5.50 GPH
 520070 6.00 GPH
 520080 6.50 GPH
 520090 7.00 GPH
 520100 7.50 GPH
 520110 8.00 GPH

<u>ITEM NO.</u>	<u>PART NO.</u>	<u>DESCRIPTION</u>
-----------------	-----------------	--------------------

HAGO BYPASS

80 Degrees

535750	18.00 GPH
535690	19.50 GPH
535870	20.00 GPH
535700	21.50 GPH
535880	22.00 GPH
535710	24.00 GPH
535890	26.00 GPH
535720	28.00 GPH

MONARCH F-80 BYPASS

60 Degrees

519370	6.00 GPH
519380	6.50 GPH
519390	7.00 GPH
519400	7.50 GPH
519410	8.00 GPH
519430	9.00 GPH
519440	9.50 GPH
519460	10.50 GPH
519490	12.00 GPH
519530	13.50 GPH
519560	15.30 GPH
519600	17.50 GPH
519650	19.50 GPH
519700	21.50 GPH
519750	24.00 GPH
519800	28.00 GPH
519850	30.00 GPH
519860	35.00 GPH
519900	40.00 GPH
519950	45.00 GPH

MONARCH F-80 BYPASS

80 Degrees

520140	9.00 GPH
520150	9.50 GPH
520160	10.50 GPH
520200	12.00 GPH
520250	13.80 GPH
520300	15.30 GPH
520350	17.50 GPH
520400	19.50 GPH
520450	21.50 GPH
520500	24.00 GPH
520550	28.00 GPH

28 OIL NOZZLE ADAPTORS

520600	30.00 GPH
520650	35.00 GPH
C14010	Simplex Oil Nozzle Adaptor
X02705	BPS Oil Nozzle Adaptor for HAGO or Delavan
X02706	BPS Oil Nozzle Adaptor for Monarch F80BPS
X02711	Delavan Oil Nozzle Adaptor (30298) for 13/16 Hex 30630

ITEM NO.	PART NO.	DESCRIPTION
30		<u>OIL GUN MOUNTING PLATES</u>
	C84310	1 Hole
	C84320	2 Hole
	C24321	3 Hole
		Or Consult Factory
31		<u>OIL IGNITION ELECTRODE CLAMP</u>
	X04035	For Direct Spark Oil
32		<u>OIL IGNITION CABLE GUIDE</u>
	X09824	3/8" Grommet
	X09925	Snap Bushing
	C11494	C Electrode Wire Spacer
32.1		<u>DIRECT SPARK OIL IGNITION CABLES (PAIR) SPECIFY BURNER MODEL</u>
		PRICE IS FOR EACH 3 FOOT LENGTH CONSISTING OF:
	Y08000	#14-19 GTO 15,000 Volt Cable with
	931110	#CT-11 Rajah Cage Terminal
	931120	#S/S-11 Rajah Terminal
33-34		<u>PHOTOCELL</u>
	402200	C7962B-1002 Detector
	406990	R7851B-100 Amplifier
34.1		<u>CAD CELL</u>
	X02585	C554A Cad Cell
34.2- 34.3		<u>SCANNERS</u>
		<u>FIREYE</u>
	374100	48PT1-1007 Lead Sulfide
	374400	48PT2-1007 Lead Sulfide
	374600	UV-1A6 Ultraviolet
	374610	UV-1A3 Ultraviolet

ITEM NO.	PART NO.	DESCRIPTION
34.2-34.3	<u>SCANNERS – Cont'd</u>	
	<u>HONEYWELL</u>	
	402800	C7015A-1076 Lead Sulfide
	402802	C7915A-1010 Solid State Lead Sulfide
	402900	105061 Heat Insulator for C7015A-1076
	403200	C7027A-1023 Ultraviolet
	403465	C7927A-1016 Solid State Ultraviolet
44 THRU 50	<u>DAMPER CYLINDER AND ACCESSORIES</u>	
	C95009	PF Damper Cylinder Assembly
	C14000	Damper Cylinder Orifice (Drilled #69) (Not Shown On Exploded View)
	C14002	Damper Cylinder Orifice (Drilled #72) (Not Shown On Exploded View)
	C13160	Cylinder Mounting Bracket
	C24247	RALFS Cylinder Mounting Bracket C Burner (Not Shown On Exploded View)
	C24248	RALFS Cylinder Mounting Bracket CR (Not Shown On Exploded View)
	C13163	RALFS Cylinder Top Bracket (Not Shown On Exploded View)
	X09625	Cylinder Mounting Nut 5/16" 18 UNC Jam Nut
	X02387	Long Brass Pin (2 Required)
	X09662	Horseshoe Clip (2 Required)
	M80021	Damper Cylinder Arm
	M80020	5/16 x 1 1/8 Arm C1 and C2
	M80010	5/16 x 1 5/8 Arm C3, C4, C5 and C6
	M10500	Damper Weight
	C13140	Oil Pump Mounting Hole Cover Plate
	X09626	1/4-20 Coupling Nut
56	<u>LINKAGE CROSS STRAPS</u>	
	C13168	RALFS Cross Strap
	C83240	C1 Damper Cross Strap
	C83241	C2/3 Damper Cross Strap
	C83245	C4/5/6 Damper Cross Strap
	C95300	C1 Cross Link Assembly
	C95301	C2/3 Cross Link Assembly
	C95302	C4-6 Cross Link Assembly

<u>ITEM NO.</u>	<u>PART NO.</u>	<u>DESCRIPTION</u>
57 THRU 57.11	<u>LINKAGE ACCESSORIES</u>	
57	M90001	Stamped Steel Crank Arm and Aluminum Hub Assembly for Mod Motor and Gas Valve (3/8" sq)
57	C83170	Stamped Steel Crank Arm Only
57	X09380	Screws for Mounting Extension Shaft to Mod Motor 10-24 x 3/8" Round Slot Head Machine Screws
57.2	X06002	Aluminum Hub Only (3/8" sq)
57.2	X09374	Screws for Mounting Hub to Crank Arm 10-24 x 1/2" Round Slot Head Machine Screws
57.3	P82120	Stamped Steel Crank Arm and Steel Hub Assembly for Ext. Shaft (1/2" ID)
57.4	P82110	Stamped Steel Crank Arm and Steel Hub Assembly for North American Oil Valve or Butterfly (3/8" ID)
57.4	M90002	Stamped Steel Crank Arm and Steel Hub Assembly for Hauck Modulating Oil Valve (3/4" ID)
57.5	P82130	Stamped Steel Crank Arm and Steel Hub Assembly for Damper (5/16" ID)
57.8	91100	Swivels (Ball Joints)
57.9	Y00470	5/16" Push Rod (36" Long)
57.10	M80011	5/16" x 1 5/8" Damper Arm (Tapped)
	C10482	C7/8 Jack Shaft Bracket (not shown)

Refer to As Built Spec Sheet or Consult Factory

ITEM NO. **PART NO.** **DESCRIPTION**

57 **LINKAGE ACCESSORIES – Cont'd**

THRU

57.11

			<u>Quantity</u>		
			<u>All Fuels</u>	<u>Mod</u>	
			<u>LHO/LHL</u>	<u>Gas or Oil</u>	<u>Gas/Oil</u>
57.11	See Below	Damper Cross Link	1	1	1
	C83170	Steel Damper Arm 6" with 9 Holes	1	0	0
	X06002	Damper Arm Collar 3/8" Sq.	1	1	2
	P82120	Crank Arm Welded 1/2"	0	2	3
	M10500	Damper Weight-Typed	1	0	0
	M80010	Damper Arm Assembly 5/16" x 1-5/8"	2 (A)	2	2
	M80021	Damper Cylinder Arm	1 (B)	0	0
	X09101	Mod Motor Extension Shaft			
	P82130	Damper Arm Weld Assembly 6" x 5/16"	1	1	1
	X02387	Rivet	2	2	2
	X09662	Retaining Ring	2	2	2
	Y00470	5/16" Rod	1' (C)	3'	4'
	91100	Swivels	2 (D)	4 (D)	6
	(A)	For C3, C4 use M80010			
	(B)	For Gas/Oil only			
	(C)	For C3, C4, order 2 for LHO/LHL			
	(D)	Reduce quantity by 2 for straight oil burner			

DAMPER CROSS LINKS

C83240	C1
C83241	C2, C3
C83245	C4, C5, C6

Note: For On/Off burners, only 2 each of M80011 (48) are required.

CROSS STRAP LINKAGE ASSEMBLIES

C95300	C1
C95301	C2, C3
C95302	C4, C5, C6

Consists of Cross Link, Rivets, Retaining Rings, Arms - assembled.

ITEM NO.	PART NO.	DESCRIPTION
58	<u>AIR PRESSURE SWITCHES</u>	
	170000	AFS-A Cleveland
	171010	8024204107 SPDT Antunes
59	<u>GAS PILOT ASSEMBLIES</u>	
	<u>SCANNER AND FLAMEROD</u>	
	<u>Includes</u>	
	<u>ElectrodeFlame Rod</u>	
F20015	X04210	X04225 Complete, Natural Gas, Flame Rod Pilot Assembly Includes 62.1, 62.2, 62.3, 62.4, 62.6, 63
F20010	X04210	N/A Complete, Natural Gas, Scanner Pilot Assembly for C1/2 Includes 62.1, 62.2, 62.3, 63
F20020	X04210	N/A Complete, Natural Gas, Scanner Pilot Assembly for C3/4/5 Includes 62.1, 62.2, 62.3, 63
F20591	X04244	N/A C5B/C6/C7/C8 Gun Mounted, Natural Gas, Pilot Assembly (Not Shown On Exploded View)
F20011	X04210	N/A Complete, Propane Gas, Scanner Pilot Assembly for C1/2
F20024	X04210	N/A Complete, Propane Gas, Scanner Pilot Assembly for C3/4/5
F20017	X04210	X04225 Complete, Propane Gas, Flame Rod Pilot Assembly
60	<u>OIL VALVES, MODULATING AND BRACKETS</u>	
	<u>NORTH AMERICAN</u>	
260000	1813M-03	
260100	1813M-02A	
260200	1813M-02B	
260300	1813M-02C	
260400	1813M-02D	
C24240	6" Bracket Bolt On	
C13040	6" Bracket	
	<u>HAUCK</u>	
262240	S-3-3	
262250	S-3-5	
262260	S-3-7	
262270	S-3-9	
262280	S-3-11	
262300	S-3-13	
C24255	8" Bracket	
C24258	Metering Valve Bolt On Bracket	

<u>ITEM NO.</u>	<u>PART NO.</u>	<u>DESCRIPTION</u>
61	<u>MODULATING MOTORS AND BRACKETS</u>	
	060250	M9174C-1025
	060700	220738A Bracket for Mod IV Motors
	C10781	Mod Motor Mounting Bracket C1
	B11681	Mod Motor Mounting Bracket C2
62	<u>PILOT IGNITION ELECTRODES AND CABLE</u>	
	X04210	Pilot Ignition Electrode with Porcelain
	X04036	Aluminum Clamp (2 Required)
	Y08000	#14-19 GTO 15,000V 3 Foot Cable
	X09927	#2 Rajah Ring Terminal
	931110	#CT-11 Rajah Cage Terminal
62	<u>FLAME ROD AND CABLE</u>	
	X04225	Flame Rod with Porcelain
	X04600	Porcelain Only
	Y08000	#14-19 GTO 15,000V 3 Foot Cable
	937410	(2) 1/4" Stud Ring Terminals
63	<u>PILOT ORIFICES (Not Shown On Exploded View)</u>	
	X04350	#44 Natural Gas Flame Rod
	X04350	#48 LP Gas Flame Rod
	X04350	#36 Natural Gas Scanner C1/2
	X04350	#30 Natural Gas Scanner C3/4/5
	X04350	#48 LP Gas Scanner C1/2/3/4/5
69	<u>PILOT MOUNTING PLATES</u>	
	C24100	C1
	C24102	C2
	C24110	C3
	C24130	C4/5
70	<u>PILOT GAS REGULATORS</u>	
	300100	RV20L 3/8" Cad Spring 2.8" to 5.2"
	302800	325-3 3/8" Cad Spring 2.0" to 6.0"
	305320	043-182 1/2" Rockwell
	305420	043-182 3/4" Rockwell
	A10456	I3315 Bracket 1/2" Rockwell

ITEM NO.	PART NO.	DESCRIPTION
71	<u>PILOT VALVES</u>	
	202430	U-28-76-21-12 3/8" Alcon
	202450	U-28-45-21-18 1/4" Alcon 115V
78	<u>GAS IGNITION TRANSFORMERS</u>	
	320000	120/6000 Volt
	320200	120/8500 Volt
79	<u>GAS VALVE OPERATORS</u>	
	<u>HONEYWELL</u>	
	<u>OPERATORS WITH PROOF OF CLOSURE</u>	
	190900	V4055D-1019, 13 Seconds
	191000	V4055D-1001, 26 Seconds
	190500	V4062D-1002, 26 Seconds, Low-High-Low
	190600	V4062D-1010, 13 Seconds, Low-High-Low
	<u>OPERATORS WITHOUT PROOF OF CLOSURE</u>	
	190700	V4055A-1098, 13 Seconds
	190800	V4055A-1064, 26 Seconds
	190400	V4062A-1008, 26 Seconds, Low-High-Low
	190430	V4062A-1131, 13 Seconds, Low-High-Low
	<u>ASCO - GENERAL CONTROLS</u>	
	<u>OPERATORS WITH PROOF OF CLOSURE</u>	
	199010	AH2B112S4, 15 Seconds
	199300	AH4B112S4, Low-High-Low
	<u>OPERATORS WITHOUT PROOF OF CLOSURE</u>	
	199000	AH2B112A1, 15 Seconds
	199100	AH2B102A4, 30 Seconds
	199200	AH4B112S4, Low-High-Low

<u>ITEM NO.</u>	<u>PART NO.</u>	<u>DESCRIPTION</u>
-----------------	-----------------	--------------------

79.1 GAS VALVE BODIES

HONEYWELL

192300	V5055A-1004	1"
192400	V5055A-1012	1 1/4"
192500	V5055A-1020	1 1/2"
192600	V5055A-1038	2"
192700	V5055A-1046	2 1/2"
192800	V5055A-1053	3"
192900	V5055A-1228	4"

BODIES WITH GUIDE

193000	V5055B-1002	1"
193100	V5055B-1010	1 1/4"
193200	V5055B-1028	1 1/2"
193300	V5055B-1069	2"
193400	V5055B-1077	2 1/2"
193500	V5055B-1085	3"
193600	V5055B-1150	4"

BODIES WITH PROOF OF CLOSURE

193900	V5055C-1034	1"
194000	V5055C-1042	1 1/4"
194100	V5055C-1059	1 1/2"
194200	V5055C-1000	2"
194300	V5055C-1018	2 1/2"
194400	V5055C-1026	3"
194500	V5055C-1109	4"

ASCO - GENERAL CONTROLS

196000	V710FAS	1"
196100	V710GAS	1 1/4"
196200	V710HAS	1 1/2"
196300	V710JAS	2"
196400	V710KAS	2 1/2"
196500	V710LAS	3"

<u>ITEM NO.</u>	<u>PART NO.</u>	<u>DESCRIPTION</u>
-----------------	-----------------	--------------------

79.1 GAS VALVE BODIES

BODIES WITH GUIDE

196600	V710FASV15	1"
196700	V710GASV15	1 1/4"
196800	V710HASV15	1 1/2"
196900	V710JASV15	2"
197000	V710KASV15	2 1/2"
197100	V710LASV15	3"

BODIES WITH PROOF OF CLOSURE

197410	V710FASV22	1"
197420	V710GASV22	1 1/4"
197430	V710HASV22	1 1/2"
197440	V710JASV22	2"
197450	V710KASV22	2 1/2"
197460	V710LASV22	3"

79.2 DIAPHRAGM GAS VALVES (0.5 PSI MAXIMUM INLET PRESSURE) (Not Shown On Exploded View)

HONEYWELL

190100	V48A-2169	1"
190200	V48A-2177	1 1/4"
190300	V48A-2185	1 1/2"
199720	V443A-1038 (V4943A-1011)	1"
199730	V443A-1020 (V4943A-1029)	1 1/4"
199700	V443A-1012 (V4943A-1037)	1 1/2"
199710	V443A-1004 (V4943A-1045)	2"

79.3 BLEED VALVE (Not Shown On Exploded View)

195000	For V48A
--------	----------

79.4 COMBINATION DIAPHRAGM GAS VALVE AND PRESSURE REGULATORS (0.5 PSI MAXIMUM INLET PRESSURE) (Not Shown On Exploded View)

199840	V4943N-1019	120 Volt	1"
199841	V4943N-1027	120 Volt	1 1/4"
199842	V4943N-1035	120 Volt	1 1/2"
199830	V4943N-1043	120 Volt	2"

<u>ITEM NO.</u>	<u>PART NO.</u>	<u>DESCRIPTION</u>
79.5	<u>GAS LINE STRAINERS AND BASKETS (Not Shown On Exploded View)</u>	

Y STRAINERS WITH 100 MESH STAINLESS STEEL BASKET

731200	3/4"
731300	1"
731350	1 1/4"
731500	1 1/2"
731600	2"
731650	2 1/2"
731750	3"

80 GAS COCKS AND HANDLES

274500	BB2-100 3/4 " Milwaukee without Tappings
274550	BB2-100 1" Milwaukee without Tappings
274600	BB2-100 1 1/4" Milwaukee without Tappings
274650	BB2-100 1 1/2" Milwaukee with two Tappings
274700	BB2-100 2" Milwaukee without Tappings
354100	Essex 500 1" with two Tappings
354200	Cons. Brass 1 1/4" with two Tappings
354300	Cons. Brass 1 1/2" with two Tappings
352060	170m Lube 1" Milliken without Tappings
352160	170m Lube 1 1/4" Milliken without Tappings
352260	170m Lube 1 1/2" Milliken without Tappings
352360	170m Lube 2" Milliken without Tappings
352460	170m Lube 2 1/2" Milliken without Tappings
352560	170m Lube 3" Milliken without Tappings
352660	170m Lube 4" Milliken without Tappings
353350	"G" Handle 1", 1 1/4" Milliken
353360	"J" Handle 1 1/2", 2" Milliken
353370	"L" Handle 2 1/2", 3" Milliken
353380	"O" Handle 4" Milliken

80 BALL VALVES WITH LEVER HANDLES

980030	1/4"
980060	3/8"
980140	1/2"
980160	3/4"
980210	1" without Tappings
980240	1" with two Tappings
980260	1 1/4" with two Tappings

<u>ITEM NO.</u>	<u>PART NO.</u>	<u>DESCRIPTION</u>
-----------------	-----------------	--------------------

80 BALL VALVES WITH LEVER HANDLES – Cont'd

980270	1 1/4" without Tappings
980310	1 1/2" with two Tappings
980320	1 1/2" without Tappings
980360	2" with two Tappings
980370	2" without Tappings
980400	2 1/2"
980450	3"
980510	4"

80 BALL VALVES WITH TEE HANDLES LESS TAPPINGS ALL SIZES

980040	1/4"
980070	3/8"
980120	1/2"
980110	3/4"
980190	1"
980280	1 1/4"
980330	1 1/2"
980380	2"

84 BUTTERFLY VALVES

273000	103BV 3/4" - Does not include P82110 Damper Linkage Arm
273100	104BV 1" - Does not include P82110 Damper Linkage Arm
273200	105BV 1 1/4" - Does not include P82110 Damper Linkage Arm
273300	106BV 1 1/2"- Does not include P82110 Damper Linkage Arm
273400	108BV 2" - Does not include P82110 Damper Linkage Arm
273500	110BV 2 1/2" - Does not include P82110 Damper Linkage Arm
273600	112BV 3" - Does not include P82110 Damper Linkage Arm
273690	104BVR 1" - Does not include P82110 Damper Linkage Arm
273700	105BVR 1 1/4" - Does not include P82110 Damper Linkage Arm
273710	106BVR 1 1/2" - Does not include P82110 Damper Linkage Arm
273720	108BVR 2" - Does not include P82110 Damper Linkage Arm
273730	110BVR 2 1/2" - Does not include P82110 Damper linkage Arm
273740	112BVR 3" - Does not include P82110 Damper Linkage Arm
M90010	PF-FP 3/4" - Includes M90201 Damper Linkage Arm Assembly
M90015	PF-FP 1" - Includes M90201 Damper Linkage Arm Assembly
M90020	PF-FP 1 1/4" - Includes M90204 Damper Linkage Arm Assembly
M90025	PF-FP 1 1/2" - Includes M90204 Damper Linkage Arm Assembly
M90030	PF-FP 2" - Includes M90204 Damper Linkage Arm Assembly
M90050	PF-RP 3/4" - Includes M90200 Damper Linkage Arm Assembly
M90055	PF-RP 1" - Includes M90200 Damper Linkage Arm Assembly
M90060	PF-RP 1 1/4" - Includes M90200 Damper Linkage Arm Assembly

ITEM NO. PART NO. DESCRIPTION

84 BUTTERFLY VALVES – Cont'd

M90065 PF-RP 1 1/2" - Includes M90205 Damper Linkage Arm Assembly
M90070 PF-RP 2" - Includes M90205 Damper Linkage Arm Assembly

Note: On parts orders verify shaft size on Eclipse Butterfly Valve for replacement damper arms - after 3/99.

84 BUTTERFLY ASSEMBLIES

P82110 3/8" I.D. BV, BVR
M90200 3/16" I.D. PF-RP
M90201 1/4" I.D. PF-FP
M90202 1/4" I.D. PF-RP
M90203 5/16" I.D. PF-RP
M90204 3/8" I.D. PF-FP
M90205 3/8" I.D. PF-RP

86.2 SIDE ORIFICES - SPECIFY INPUT

Orifice Size	Drill Size	Set Quantity		
		1	3	10
1 1/2"	15/64"	X04370	-----	-----
1 1/2"	1/4"	M11201	M11231	M11261
1 1/2"	17/64"	M11202	M11232	M11262
1 1/2"	9/32"	M11203	M11233	M11263
1 1/2"	19/64"	M11204	M11234	M11264
1 1/2"	5/16"	M11205	M11235	M11265
1 1/2"	21/64"	M11206	M11236	M11266
1 1/2"	11/32"	M11207	M11237	M11267
1 1/2"	23/64"	M11208	M11238	M11268
1 1/2"	3/8"	M11209	M11239	M11269
1 1/2"	25/64"	M11210	M11240	M11270
1 1/2"	13/32"	M11211	M11241	M11271
1 1/2"	27/64"	M11212	M11242	M11272
1 1/2"	7/16"	M11213	M11243	M11273
1 1/2"	29/64"	M11214	M11244	M11274
1 1/2"	15/32"	M11215	M11245	M11275
1 1/2"	31/64"	M11216	M11246	M11276
1 1/2"	1/2"	M11217	M11247	M11277
1 1/2"	17/32"	M11218	M11248	M11278
1 1/2"	9/16"	M11219	M11249	M11279
1 1/2"	19/32"	M11220	M11250	M11280
1 1/2"	5/8"	M11221	M11251	M11281

ITEM NO. PART NO. DESCRIPTION

86.2 SIDE ORIFICES - SPECIFY INPUT, Cont'd

Orifice Size	Drill Size	Set Quantity		
		1	3	10
1 1/2"	11/16"	M11222	M11252	M11282
1 1/2"	25/32"	M11223	M11253	M11283
1 1/2"	13/16"	M11224	M11254	M11284
1 1/2"	27/32"	M11225	M11255	M11285
1 1/2"	7/8"	M11226	M11256	M11286
2"	17/32"	X04375	-----	-----
2"	35/64"	M11302	M11332	M11362
2"	9/16"	M11303	M11333	M11363
2"	37/64"	M11304	M11334	M11364
2"	19/32"	M11305	M11335	M11365
2"	39/64"	M11306	M11336	M11366
2"	5/8"	M11307	M11337	M11367
2"	41/64"	M11308	M11338	M11368
2"	21/32"	M11309	M11339	M11369
2"	43/64"	M11310	M11340	M11370
2"	11/16"	M11311	M11341	M11371
2"	45/64"	M11312	M11342	M11372
2"	23/32"	M11313	M11343	M11373
2"	3/4"	M11314	M11344	M11374
2"	25/32"	M11315	M11345	M11375
2"	51/64"	M11316	M11346	M11376
2"	13/16"	M11317	M11347	M11377
2"	7/8"	M11318	M11348	M11378
2"	1"	M11319	M11349	M11379
2"	1 1/16"	M11320	M11350	M11380
2"	1 1/8"	M11321	M11351	M11381
2"	1 1/4"	M11322	M11352	M11382
2"	1 5/16"	M11323	M11353	M11383
2 1/2"	3/4"	X04380	-----	-----
2 1/2"	25/32"	M11402	M11432	M11462
2 1/2"	13/16"	M11403	M11433	M11463
2 1/2"	27/32"	M11404	M11434	M11464
2 1/2"	7/8"	M11405	M11435	M11465
2 1/2"	29/32"	M11406	M11436	M11466
2 1/2"	15/16"	M11407	M11437	M11467
2 1/2"	31/32"	M11408	M11438	M11468
2 1/2"	63/64"	M11409	M11439	M11469
2 1/2"	1"	M11410	M11440	M11470
2 1/2"	1 1/64"	M11411	M11441	M11471
2 1/2"	1 1/32"	M11412	M11442	M11472

ITEM NO. PART NO. DESCRIPTION

86.2 SIDE ORIFICES - SPECIFY INPUT, Cont'd

<u>Orifice Size</u>	<u>Drill Size</u>	<u>Set Quantity</u>		
		<u>1</u>	<u>3</u>	<u>10</u>
2 1/2"	1 5/16"	M11413	M11443	M11473
2 1/2"	1 27/64"	M11414	M11444	M11474
2 1/2"	1 5/8"	M11415	M11445	M11475
2 1/2"	1 29/32"	M11416	M11446	M11476
3"	29/32"	X04385	-----	-----
3"	31/32"	M11502	M11522	M11542
3"	1 1/64"	M11503	M11523	M11543
3"	1 1/16"	M11504	M11524	M11544
3"	1 1/8"	M11505	M11525	M11545
3"	1 3/32"	M11506	M11526	M11546
3"	1 3/16"	M11507	M11527	M11547
3"	1 7/32"	M11508	M11528	M11548
3"	1 15/64"	M11509	M11529	M11549
3"	1 1/4"	M11510	M11530	M11550
3"	1 3/8"	M11511	M11531	M11551
3"	1 7/16"	M11512	M11532	M11552
3"	1 1/2"	M11513	M11533	M11553
3"	1 9/16"	M11514	M11534	M11554
3"	2"	M11515	M11535	M11555

- M31021 1 1/2" Orifice Set, Nat/LP, 27 Pieces, Drilled Assorted Sizes
- M31022 1 1/2" Orifice Set, Nat, 18 Pieces, Drilled Assorted Sizes
- M31023 1 1/2" Orifice Set, LP, 17 Pieces, Drilled Assorted Sizes
- M31031 2" Orifice Set, Nat/LP, 23 Pieces, Drilled Assorted Sizes
- M31032 2" Orifice Set, Nat, 8 Pieces, Drilled Assorted Sizes
- M31033 2" Orifice Set, LP, 16 Pieces, Drilled Assorted Sizes
- M31041 2 1/2" Orifice Set, Nat/LP, 16 Pieces, Drilled Assorted Sizes
- M31042 2 1/2" Orifice Set, Nat, 5 Pieces, Drilled Assorted Sizes
- M31043 2 1/2" Orifice Set, LP, 12 Pieces, Drilled Assorted Sizes
- M31051 3" Orifice Set, Nat/LP, 15 Pieces, Drilled Assorted Sizes
- M31052 3" Orifice Set, Nat, 4 Pieces, Drilled Assorted Sizes
- M31053 3" Orifice Set, LP, 13 Pieces, Drilled Assorted Sizes

89 HIGH GAS PRESSURE SWITCHES

- 163200 C645B-1013 3-21"
- 160000 C437D-1005 1-26"
- 163450 HGP-A Antunes 2-16"
- 161100 HBP-6 Antunes 2-20"

<u>ITEM NO.</u>	<u>PART NO.</u>	<u>DESCRIPTION</u>
-----------------	-----------------	--------------------

90 LOW GAS PRESSURE SWITCHES

163100	C645A-1030 3-21"
160300	C437E-1004 1-26"
163150	C645A-1055 5-35"
163300	LGP-A Antunes 2-14"
163000	L645A 3-21" Auto Reset
161000	LGP-6 Antunes 1-20"

91 MAIN GAS PRESSURE REGULATORS 1 PSI MAXIMUM INLET (Not Lock Up Type)

300400	RV-53 1" Cad Plated 3"-6" Spring
300500	RV-61 1" Pink 3"-8" Spring
300550	RV-61 1 1/4" Pink 3"-8" Spring
300600	RV-81 1 1/4" Pink 3"-8" Spring
300700	RV-81 1 1/2" Pink 3"-8" Spring
300800	RV-91 2" Pink 3"-8" Spring
300900	RV-91 2 1/2" Pink 3"-8" Spring
301000	RV-111 2 1/2" Violet 4"-12" Spring
301100	RV-111 3" Violet 4"-12" Spring
301200	RV-131 4" Violet 4"-12" Spring

MAXITROL 210 SERIES (Pink 3-8 Spring)

302000	210D 1"
302100	210D 1 1/4"
302200	210D 1 1/2"
302300	210E 1 1/2"
302400	210E 2"
302700	210G 2 1/2"
302750	210G 3"

ROCKWELL

243-8 1/14"
243-8 1 1/2"
243-12 1 1/2"
121-12 1 1/2"
243-12 2"
121-12 2"
121-12 2 1/2"

Consult Factory for correct part number

ITEM NO.	PART NO.	DESCRIPTION
92		<u>OIL RETURN CHECK VALVES</u>
	X02521	Circle Seal 2232B-2MM
	233000	Firomatic B-100-HCV
93		<u>PILOT SHUTOFF COCKS</u>
	350900	1/4" Nibco CGA Approved
	834450	3/8" x 1/4" to MP Straight Compression
	980030	1/4" Ball Valve
94		<u>SIGHT GLASS</u>
	X09913	1 1/8" x 1 1/6"
	X09910	2 1/2" Square
	C10651	2" Snap In
		Or Consult Factory
95		<u>SOLENOID GAS VALVES</u>
		<u>ASCO - GENERAL CONTROLS</u>
	280300	K3A562T 1"
	280400	K3A772T 1 1/4"
	280500	K3A782T 1 1/2"
	281100	S261SA02N3JK4 2"
	281200	S261SA02N3KK4 2 1/2"
	281300	S261SA02N3LK4 3"
96		<u>N.O. VENT VALVES (Not Shown On Exploded View)</u>
		<u>ASCO - GENERAL CONTROLS</u>
	284050	8030G083 3/4"
	284500	S262SA02N3FJ5 1"
	284600	S262SA02N3GJ7 1 1/4"
	284700	S262SA02N3JK4 2"
97		<u>GAS PRESSURE GAUGES (Not Shown On Exploded View)</u>
	463100	2 1/2" Dial 0-18 oz. 0-32" W.C.
	463000	2 1/2" Dial 0-15" W.C.

<u>ITEM NO.</u>	<u>PART NO.</u>	<u>DESCRIPTION</u>
-----------------	-----------------	--------------------

98 SIDE ORIFICE SPRINGS

911520	1 1/2"
911530	2"
911540	2 1/2"
911550	3"

100 TAPPED NIPPLES

M10550	3/4" x 2"
M10551	1" x 2 1/2"
M10552	1 1/4" x 2 1/2"
M10553	1 1/2" x 2 1/2"
M10554	2" x 2 1/2"
M10555	2 1/2" x 3 1/2"
M10557	2 1/2" x 6"
M10556	3" x 3 1/2"
	Or Consult Factory

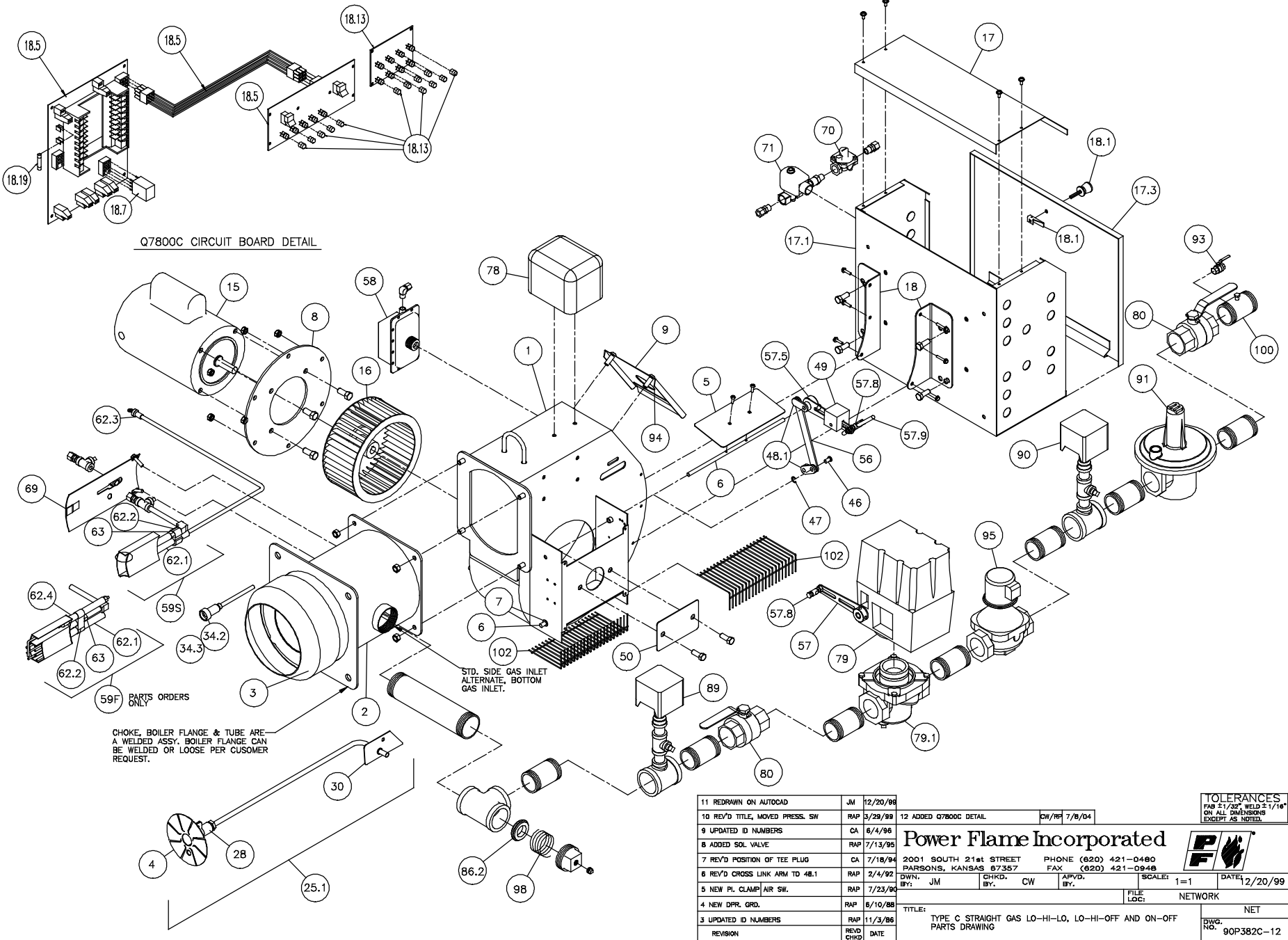
101 TEST PORT NIPPLES INCLUDING 1/4" NPT HALF COUPLING WELDED

M20225	1" x 4"
M20227	1" x 4" Pilot
M20226	1 1/4" x 4"
M20228	1 1/2" x 4" Pilot
M20220	1 1/2" x 4"
M20230	2" x 4"
M20241	2" x 4" Pilot
M20244	2" x 6"
M20235	2 1/2" x 4"
M20242	2 1/2" x 4" Pilot
M20245	2 1/2" x 6"
M20240	3" x 4"
M20243	3" x 4" Pilot
M20246	3" x 6"
	Or Consult Factory

102 DAMPER GUARDS, WIRE

C80430	C1
C80431	C2
C80432	C3
C80433	C4/5/6

<u>ITEM</u> <u>NO.</u>	<u>PART</u> <u>NO.</u>	<u>DESCRIPTION</u>
---------------------------	---------------------------	--------------------



Q7800C CIRCUIT BOARD DETAIL

STD. SIDE GAS INLET
ALTERNATE. BOTTOM
GAS INLET.

CHOKE, BOILER FLANGE & TUBE ARE
A WELDED ASSY. BOILER FLANGE CAN
BE WELDED OR LOOSE PER CUSTOMER
REQUEST.

59F PARTS ORDERS
ONLY

11 REDRAWN ON AUTOCAD	JM	12/20/88	12 ADDED Q7800C DETAIL	CM/RF	7/8/04	TOLERANCES FAB ±1/32" WELD ±1/16" ON ALL DIMENSIONS EXCEPT AS NOTED.
10 REV'D TITLE, MOVED PRESS. SW	RAP	3/29/89				
9 UPDATED ID NUMBERS	CA	8/4/86				
8 ADDED SOL VALVE	RAP	7/13/95				
7 REV'D POSITION OF TEE PLUG	CA	7/18/94				
6 REV'D CROSS LINK ARM TO 48.1	RAP	2/4/92				
5 NEW PL. CLAMP AIR SW.	RAP	7/23/90				
4 NEW DPR. GRD.	RAP	6/10/88				
3 UPDATED ID NUMBERS	RAP	11/3/86				
REVISION	REV'D	DATE				

Power Flame Incorporated

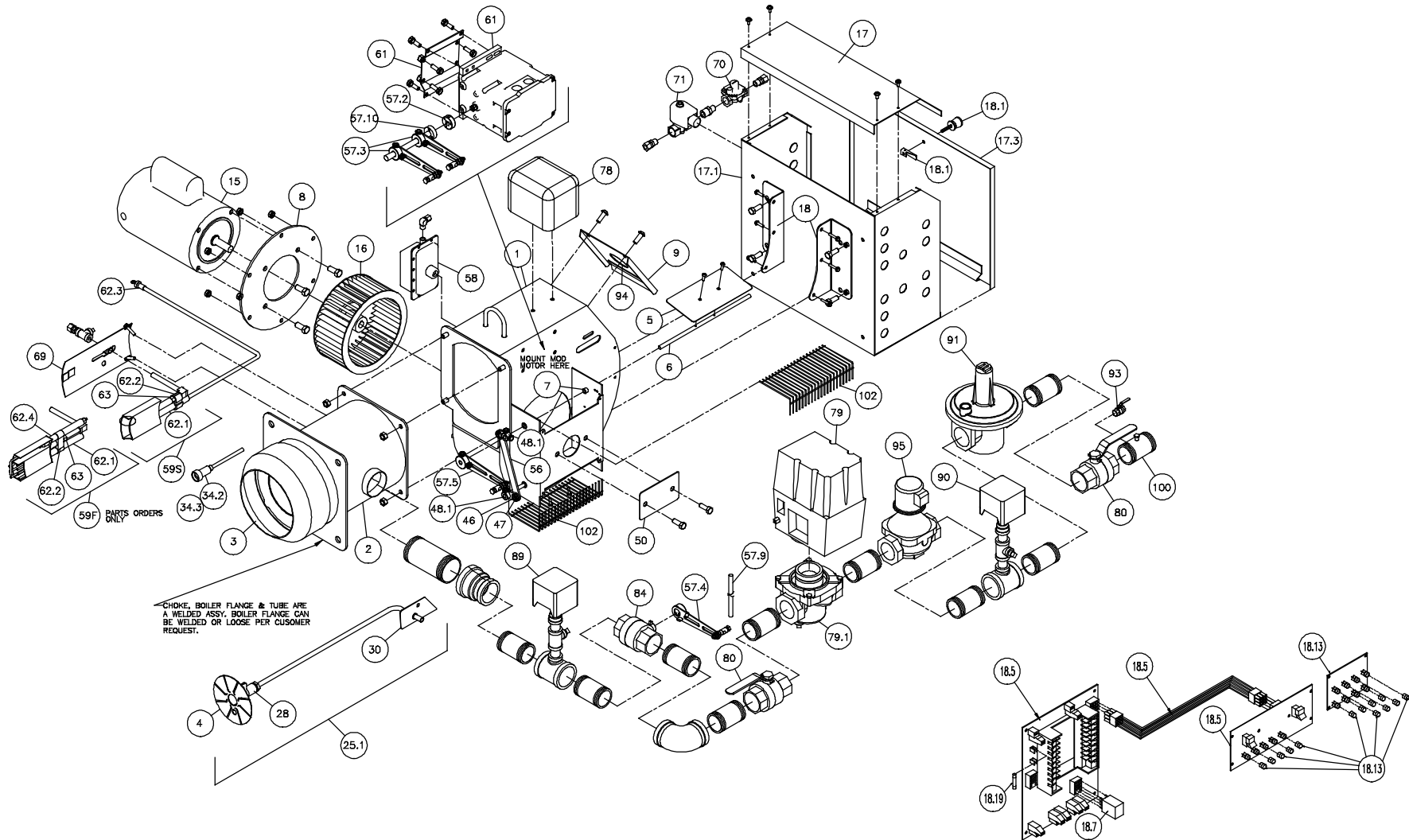
2001 SOUTH 21st STREET PHONE (820) 421-0480
 PARSONS, KANSAS 67357 FAX (820) 421-0948



DWN. BY: JM	CHKD. BY: CW	APVD. BY:	SCALE: 1=1	DATE: 12/20/99
FILE LOC: NETWORK			TITLE: TYPE C STRAIGHT GAS LO-HI-LO, LO-HI-OFF AND ON-OFF PARTS DRAWING	
DWG. NO. 90P382C-12				NET

PROPRIETARY AND CONFIDENTIAL NOTICE: THE CONTENTS OF THIS TEMPLATE CONSTITUTE PROPRIETARY AND CONFIDENTIAL INFORMATION OWNED BY POWER FLAME INCORPORATED. IT SHALL NOT BE REPRODUCED, IN WHOLE OR IN PART, AND SHALL NOT BE DISCLOSED TO ANYONE OUTSIDE POWER FLAME WITHOUT THE PRIOR EXPRESS APPROVAL OF POWER FLAME.

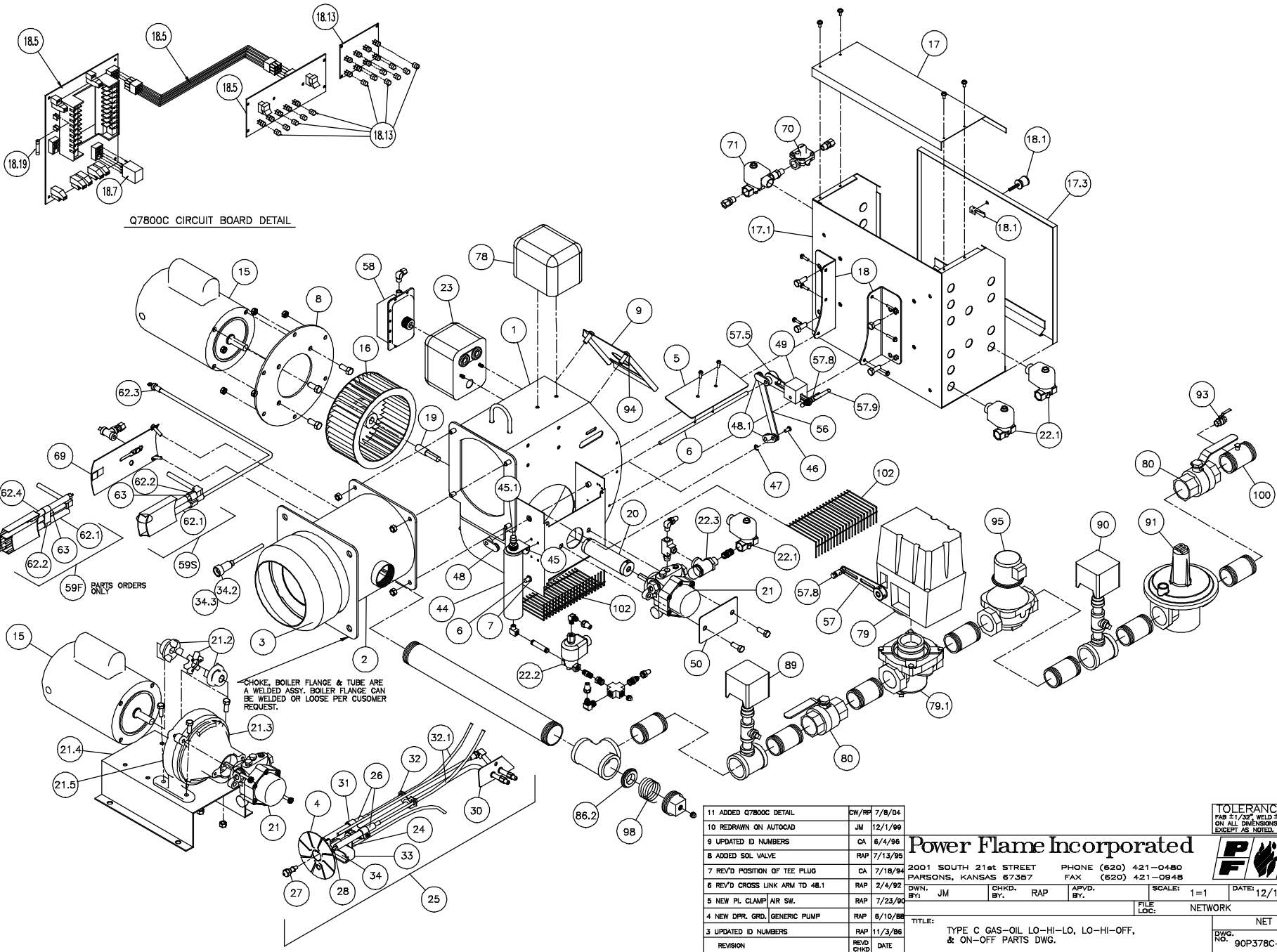
PROPRIETARY AND CONFIDENTIALITY NOTICE: THE CONTENTS OF THIS TEMPLATE CONSTITUTE PROPRIETARY AND CONFIDENTIAL INFORMATION OWNED BY POWER FLAME INCORPORATED.
 IT SHALL NOT BE REPRODUCED, IN WHOLE OR IN PART, AND SHALL NOT BE DISCLOSED TO ANYONE OUTSIDE POWER FLAME WITHOUT THE PRIOR EXPRESS APPROVAL OF POWER FLAME.



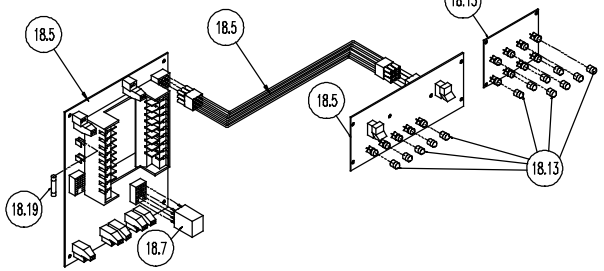
Q7800C CIRCUIT BOARD DETAIL

10 REDWDMN ON AUTOCAD	JM	12/15/99				
9 REMOVED LINKAGE	RMP	3/25/99	11 ADDED Q7800C DETAIL			
8 REV'D ID NOS.	CA	6/5/98				
7 ADDED SOL VLV	RMP	7/13/98				
6 REV'D CROSS LINK ARM TO 48.1	RMP	2/1/92				
5 NEW PL CLAMP, AIR SW.	RMP	7/23/90				
4 NEW DPR. GRD.	RMP	6/10/98				
3 UPDATED ID NOS.	RMP	11/3/98				
2 REMOVED BLR FLG. NO.	RMP	6/2/98				
REVISION	REV'D	DATE				

TOLERANCES		FAB ±1/32" WELD ±1/16"		ON ALL DIMENSIONS EXCEPT AS NOTED.	
Power Flame Incorporated 2001 SOUTH 21st STREET PHONE (820) 421-0480 PARSONS, KANSAS 67357 FAX (820) 421-0948					SCALE: 1=1 DATE: 12/15/99
DWN. JM	CHKD. RMP	BY:	APVD. BY:	FILE LOG: NETWORK	DATE: 12/15/99
TITLE: TYPE C STRAIGHT GAS MODULATION PARTS DRAWING				NET	
				DWG. NO. 90P383C-11	



Q7800C CIRCUIT BOARD DETAIL



CHOKE, BOILER FLANGE & TUBE ARE A WELDED ASSY. BOILER FLANGE CAN BE WELDED OR LOOSE PER CUSTOMER REQUEST.

59F PARTS ORDERS ONLY

11 ADDED Q7800C DETAIL	CH/RF	7/8/04
10 REDRAWN ON AUTOCAD	JM	12/1/99
9 UPDATED ID NUMBERS	CA	8/4/98
8 ADDED SOL VALVE	RAP	7/13/95
7 REV'D POSITION OF TEE PLUG	CA	7/18/94
6 REV'D CROSS LINK ARM TO 48.1	RAP	2/4/92
5 NEW PL CLAMP AIR SW.	RAP	7/23/90
4 NEW DPR. GRD. GENERIC PUMP	RAP	8/10/88
3 UPDATED ID NUMBERS	RAP	11/3/86
REVISION	REVD	CHGD
	DATE	

Power Flame Incorporated

2001 SOUTH 21st STREET
PARSONS, KANSAS 67357

PHONE (620) 421-0480
FAX (620) 421-0948

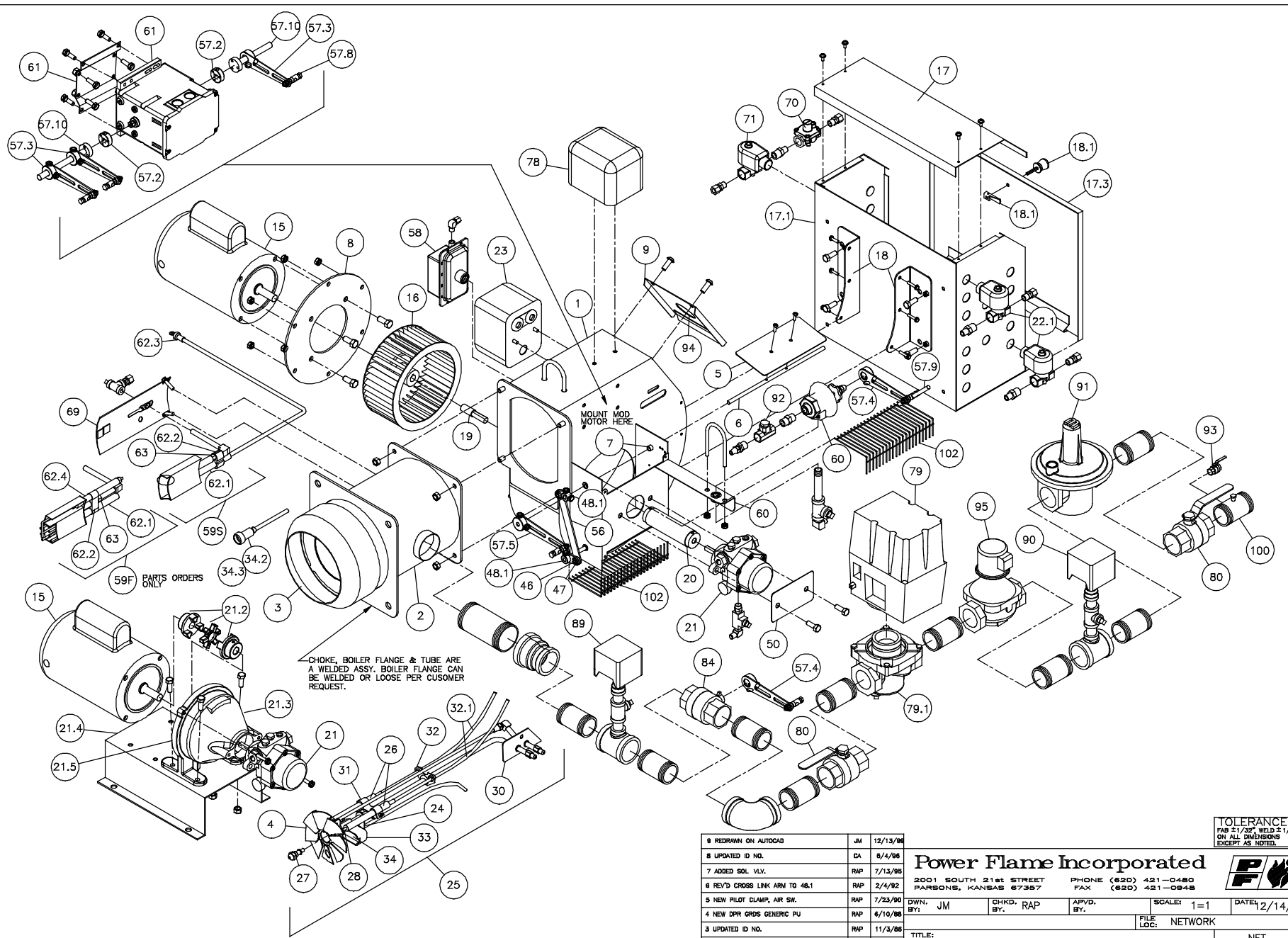
TOLERANCES
FAB ±1/32" WELD ±1/16"
ON ALL DIMENSIONS
EXCEPT AS NOTED.



DWN. BY: JM	CHKD. BY: RAP	APVD. BY:	SCALE: 1=1	DATE: 12/1/99
FILE LOC: NETWORK			TITLE: TYPE C GAS-OIL LO-HI-LO, LO-HI-OFF, & ON-OFF PARTS DWG.	
REV'D			NET	
DWG. NO. 90P378C-11				

PROPRIETARY AND CONFIDENTIALITY NOTICE: THE CONTENTS OF THIS TEMPLATE CONSTITUTE PROPRIETARY AND CONFIDENTIAL INFORMATION OWNED BY POWER FLAME INCORPORATED. IT SHALL NOT BE REPRODUCED, IN WHOLE OR IN PART, AND SHALL NOT BE DISCLOSED TO ANYONE OUTSIDE POWER FLAME WITHOUT THE PRIOR EXPRESS APPROVAL OF POWER FLAME.

THIS DOCUMENT CONTAINS CONFIDENTIAL AND PROPRIETARY INFORMATION OF PFI AND IS SUBJECT TO CHANGE WITHOUT PRIOR NOTIFICATION. UNLESS AUTHORIZED BY PFI, THIS INFORMATION SHALL NOT BE DIVULGED TO PERSONS OUTSIDE THE EMPLOY OF POWER FLAME, BE REMOVED FROM THE PREMISES, NOR DUPLICATED IN WHOLE OR IN PART.



CHOKE, BOILER FLANGE & TUBE ARE A WELDED ASSY. BOILER FLANGE CAN BE WELDED OR LOOSE PER CUSTOMER REQUEST.

59F PARTS ORDERS ONLY

8 REDRAWN ON AUTOCAD	JM	12/13/98
8 UPDATED ID NO.	CA	8/4/98
7 ADDED SOL. VLV.	RAP	7/13/98
6 REV'D CROSS LINK ARM TO 48.1	RAP	2/4/92
5 NEW PILOT CLAMP, AIR SW.	RAP	7/23/90
4 NEW DPR GRDS. GENERIC PU	RAP	6/10/88
3 UPDATED ID NO.	RAP	11/3/88
2 REMOVED BLR. FLD. NO.	RAP	5/2/88
REVISION	REV'D	DATE

Power Flame Incorporated

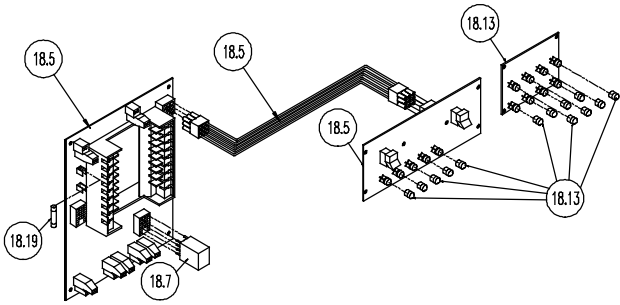
2001 SOUTH 21st STREET
PARSONS, KANSAS 67357

PHONE (620) 421-0480
FAX (620) 421-0948

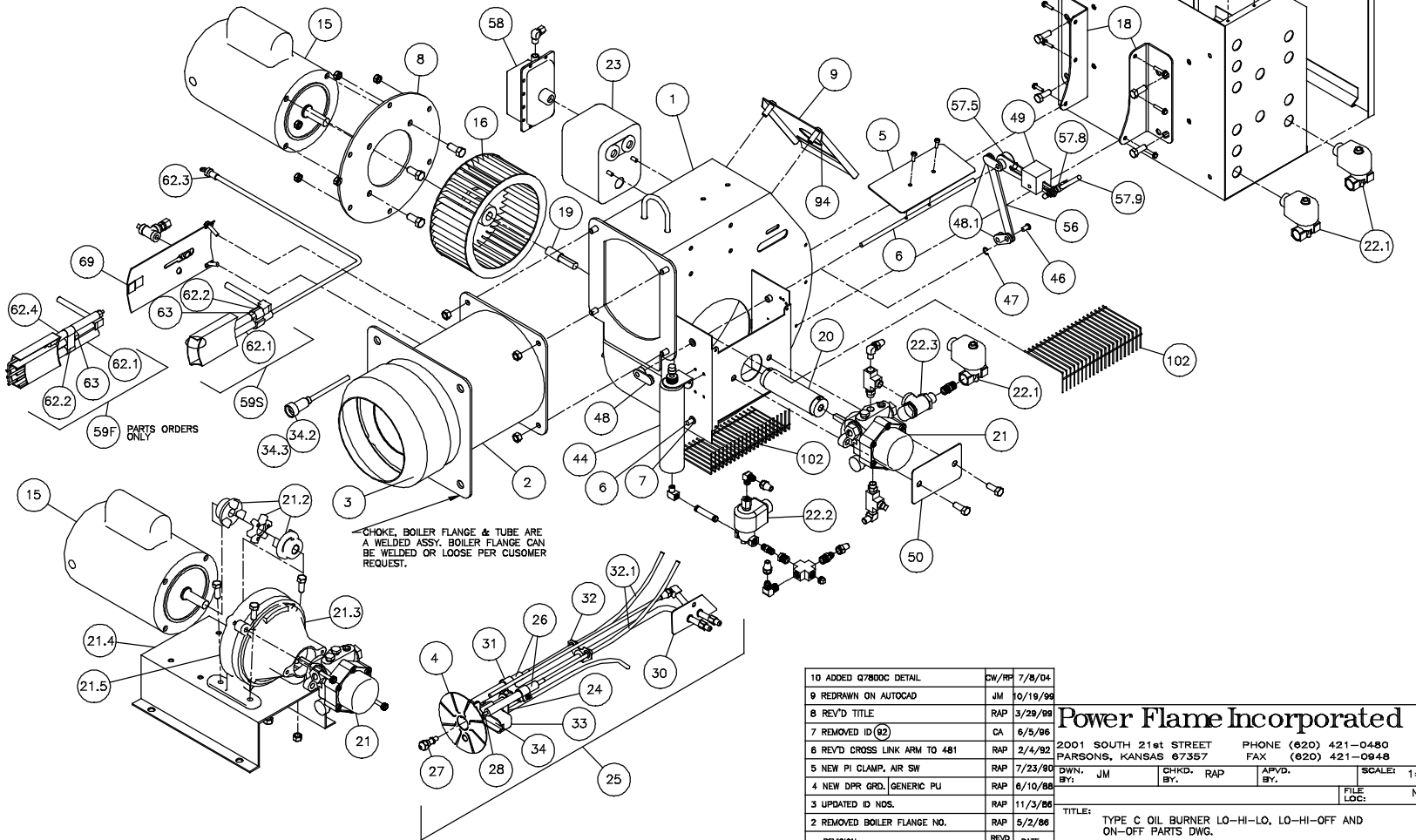
TOLERANCES
FAB ±1/32" WELD ±1/16"
ON ALL DIMENSIONS
EXCEPT AS NOTED.



DWN. BY: JM	CHKD. BY: RAP	APVD. BY:	SCALE: 1=1	DATE: 12/14/99
FILE LOC: NETWORK			TITLE: NET	
TITLE: TYPE C GAS-OIL BURNER MODULATION PARTS DRAWING			DWG. NO.: 90P379C-9	



Q7800C CIRCUIT BOARD DETAIL



10 ADDED Q7800C DETAIL	CH/REF	7/8/04
9 REDRAWN ON AUTOCAD	JM	10/16/99
8 REV'D TITLE	RAP	3/29/99
7 REMOVED ID (42)	CA	6/5/96
6 REV'D CROSS LINK ARM TO 481	RAP	2/4/92
5 NEW PI CLAMP, AIR SW	RAP	7/23/90
4 NEW DPR GRD, GENERIC PUI	RAP	6/10/88
3 UPDATED ID NOS.	RAP	11/3/86
2 REMOVED BOILER FLANGE NO.	RAP	5/2/86
REVISION	REV'D	DATE
	CHGD	

Power Flame Incorporated

2001 SOUTH 21st STREET PHONE (820) 421-0480
 PARSONS, KANSAS 67357 FAX (820) 421-0948

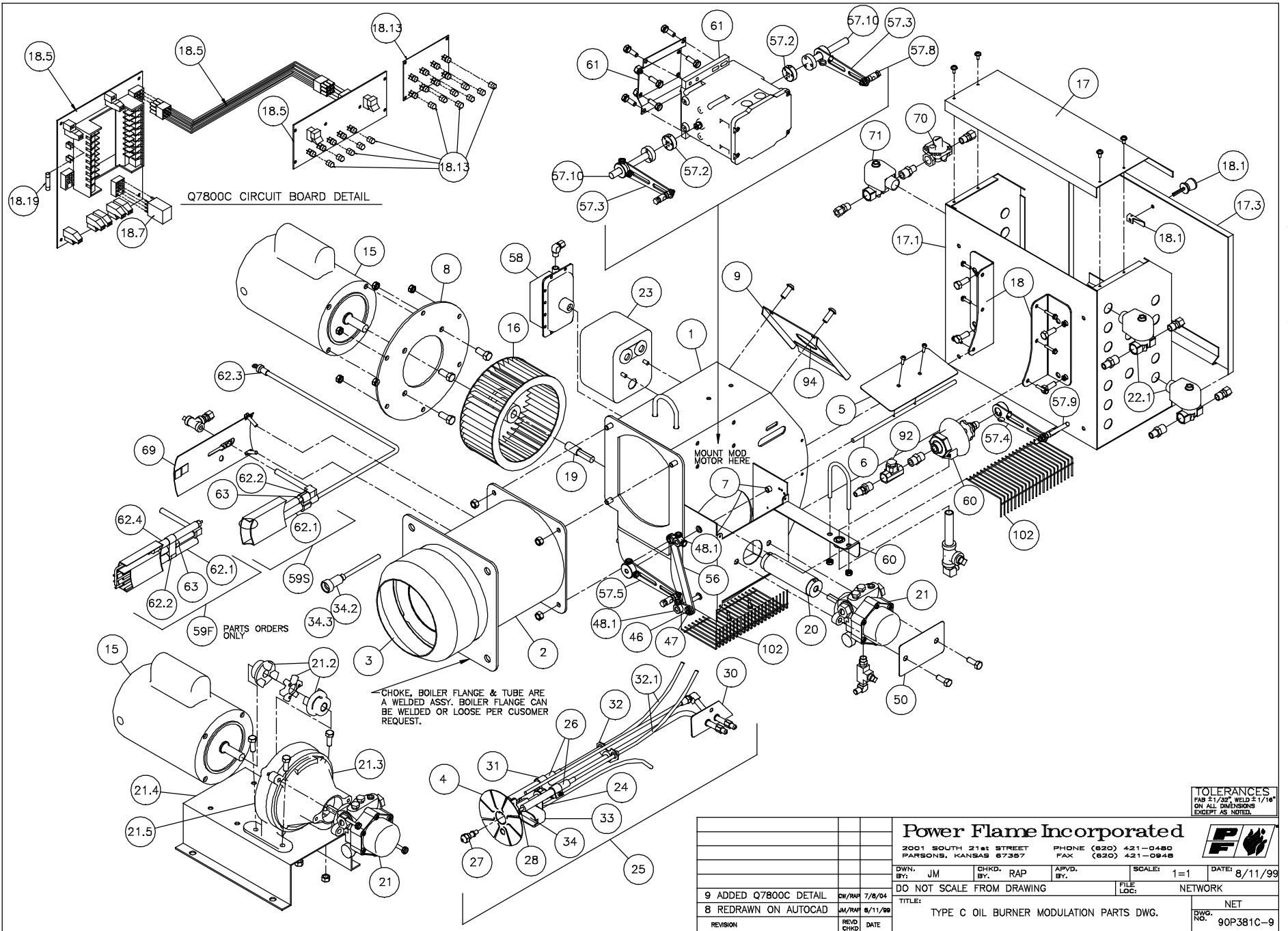
TOLERANCES
 FAB ±1/32" WELD ±1/16"
 ON ALL DIMENSIONS
 EXCEPT AS NOTED.



DWN. BY: JM	CHKD. BY: RAP	APVD. BY:	SCALE: 1=1	DATE: 10/19/99
FILE LOC: NETWORK			NET	

TITLE: TYPE C OIL BURNER LO-HI-LO, LO-HI-OFF AND ON-OFF PARTS DWG.
 DWG. NO. 90P380C-10

PROPRIETARY AND CONFIDENTIALITY NOTICE: THE CONTENTS OF THIS TEMPLATE CONSTITUTE PROPRIETARY AND CONFIDENTIAL INFORMATION OWNED BY POWER FLAME INCORPORATED. IT SHALL NOT BE REPRODUCED, IN WHOLE OR IN PART, AND SHALL NOT BE DISCLOSED TO ANYONE OUTSIDE POWER FLAME WITHOUT THE PRIOR EXPRESS APPROVAL OF POWER FLAME.



PROPRIETARY AND CONFIDENTIAL NOTICE: THE CONTENTS OF THIS TEMPLATE CONSTITUTE PROPRIETARY AND CONFIDENTIAL INFORMATION OWNED BY POWER FLAME INCORPORATED. IT SHALL NOT BE REPRODUCED, IN WHOLE OR IN PART, AND SHALL NOT BE DISCLOSED TO ANYONE OUTSIDE POWER FLAME WITHOUT THE PRIOR EXPRESS APPROVAL OF POWER FLAME.

TOLERANCES
 FAB ±1/32" WELD ±1/16"
 ON ALL DIMENSIONS
 EXCEPT AS NOTED.



Power Flame Incorporated

2001 SOUTH 21st STREET PHONE (620) 421-0480
 PARSONS, KANSAS 67357 FAX (620) 421-0948

DWN. BY: JM CHKD. BY: RAP APVD. BY: SCALE: 1=1 DATE: 8/11/99

DO NOT SCALE FROM DRAWING FILE LOC: NETWORK

TITLE: TYPE C OIL BURNER MODULATION PARTS DWG. DWG. NO.: 90P381C-9

REVISION	REV'D	DATE
9	ADDED Q7800C DETAIL	DW/RAH 7/8/04
8	REDRAWN ON AUTOCAD	JM/RAH 8/11/99