

TYPE X4

GAS :
40,000-725,000 BTU/HR

**Power Flame's Extreme
Small Gas Burner**
400,000-725,000 BTU/HR.

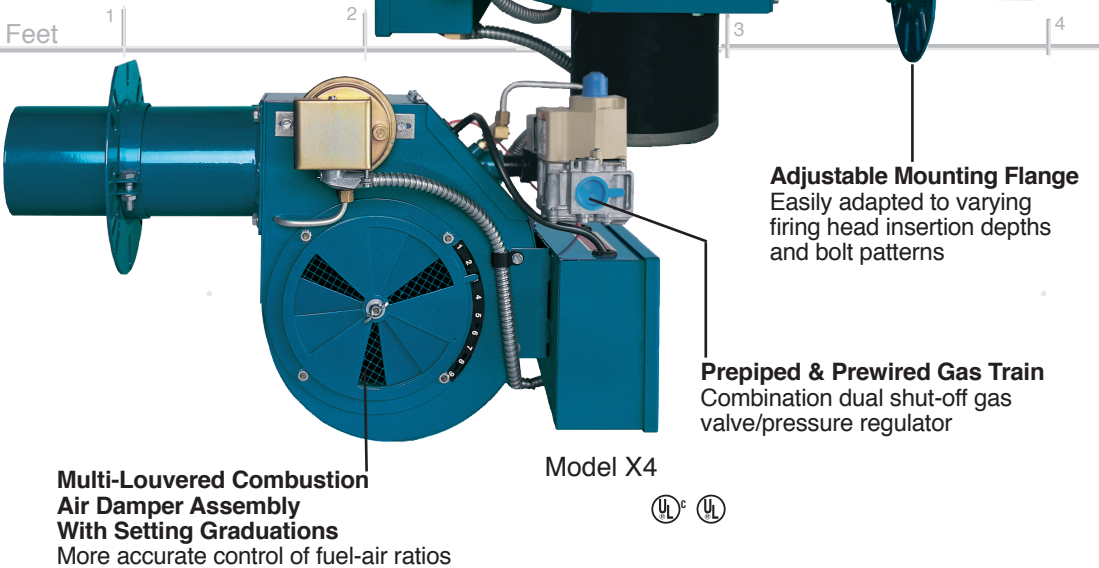
The X4 family of small gas burners has the capability of firing against a positive back pressure of over 1.5 inches W.C. As a result, X4 burners are adaptable to a very broad range of heating and process applications. The burners provide a new level of performance, more efficient and robust than any other 4" diameter burners in the marketplace. The unique gas manifold/diffuser firing head allows fuel and air to mix rapidly and thoroughly, creating a stable, compact flame.

The gas pilot assembly design ensures reliable ignition of the main flame. Thoroughly tested and UL/CUL listed, the X4 family of burners meets the most demanding application requirements. These burners can be supplied with 6", 9" or 12" blast tubes, direct spark ignition, ON-OFF or MODULATING operating modes and optional CSD-1 compliance.



Totally Enclosed Control Panel
Protection with easy access to X4 operating components

4" Circular Furnace Opening
No special cutting of combustion chamber front plate



Adjustable Mounting Flange
Easily adapted to varying firing head insertion depths and bolt patterns

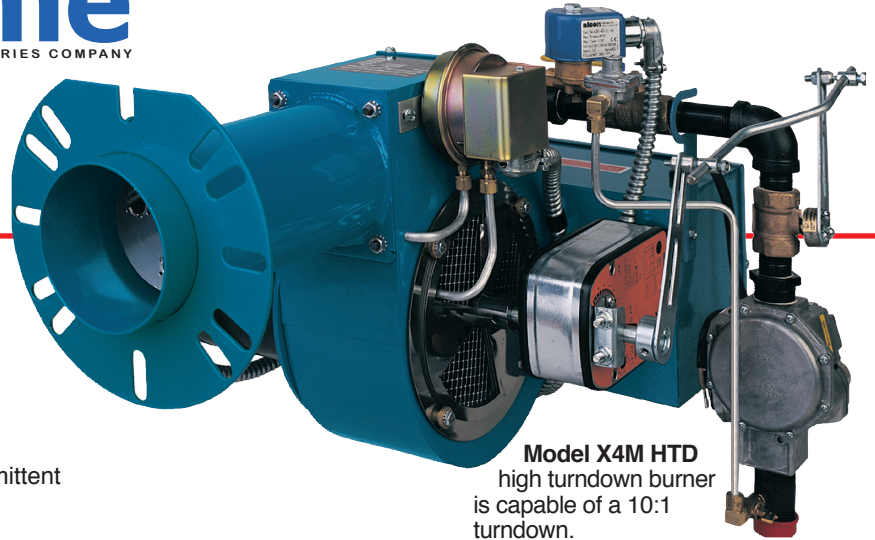
Prepiped & Prewired Gas Train
Combination dual shut-off gas valve/pressure regulator

Multi-Louvered Combustion Air Damper Assembly With Setting Graduations
More accurate control of fuel-air ratios

U.S. Patent Number 6,508,645

CALL US: 620-421-0480
VISIT: WWW.POWERFLAME.COM
EMAIL: CSD@ASTECINDUSTRIES.COM

POWER FLAME INCORPORATED
2001 S. 21ST ST. PARSONS, KS 67357
FOLLOW US:



Model X4M HTD
high turndown burner
is capable of a 10:1
turndown.

STANDARD EQUIPMENT

- 3450 RPM motor, squirrel cage blower, adjustable damper and control panel
- 24 Volt control transformer
- Combination dual shut-off gas valve/pressure regulator (14 in. W.C. inlet max.)
- 24 Volt flame safeguard with flame rod, intermittent pilot and prepurge
- Air safety switch

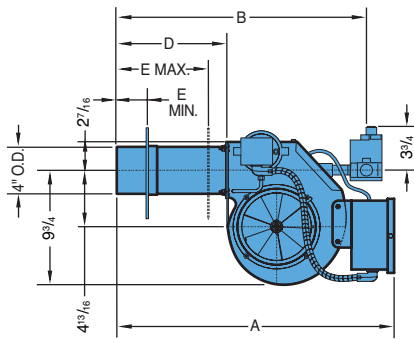
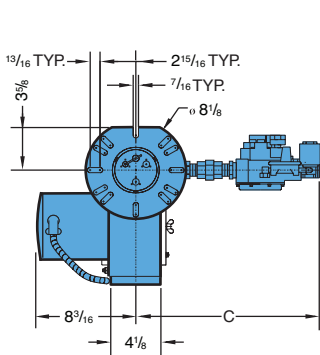
ADDED FEATURES

X-Standard O-Optional

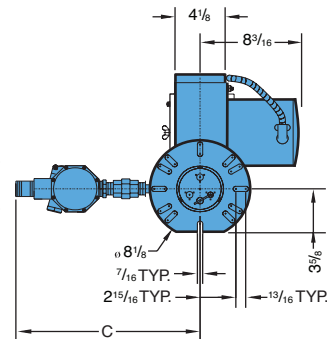
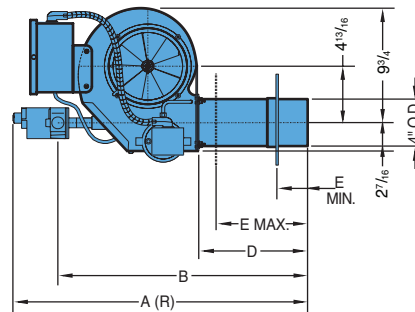
- Flame safeguard with flame rod and intermittent pilot
- CSD-1 compliance with 120 volt control
- On-Off mode of operation
- Modulating mode of operation
- 10:1 turndown
- 120 Volt/Single phase electrical supply
- Prepiped and prewired gas train
- Complete set of orifices for natural or LP gas

- Conforms to UL 795.
- X4-400 is ANSI Listed.

	X4-400	X4-700	X4M-400	X4M-700	X4M400 HTD	X4M-700 HTD
Flame safeguard with flame rod and intermittent pilot	X	X	X	X	X	X
CSD-1 compliance with 120 volt control	N/A	O	N/A	O	N/A	O
On-Off mode of operation	X	X	N/A	N/A	N/A	N/A
Modulating mode of operation	N/A	N/A	X	X	X	X
10:1 turndown	N/A	N/A	N/A	N/A	X	X
120 Volt/Single phase electrical supply	X	X	X	X	X	X
Prepiped and prewired gas train	X	X	X	X	X	X
Complete set of orifices for natural or LP gas	X	X	X	X	X	X



ADD 3/8" TO THE 4" O.D. TUBE FOR OPENING
IN HEAT EXCHANGER FRONT PLATE



ADD 3/8" TO THE 4" O.D. TUBE FOR OPENING
IN HEAT EXCHANGER FRONT PLATE

DIMENSIONS (Inches)

Burner Model	A	A(R)	B	C	Blast Tube Length D	E Min.	E Max.	Capacities in MBH*				Blower Motor H.P. (3450 RPM)	Gas Train Size (In.)
								4" W.C.	5" W.C.	5.5" W.C.	6" W.C.		
X4-400-9	23	24 3/8	20 1/4	11 7/8	9 1/8	1	7 1/2	360	400	N/A	N/A	1/4	3/4
X4-700-9	23	24 3/8	20 1/4	15 1/4	9 1/8	1	7 1/2	560	645	725	N/A	1/4	1
X4M-400-9, X4M-400-9HTD	23	24 3/8	20 1/4	9 3/4	9 1/8	1	7 1/2	360	400	N/A	N/A	1/4	3/4
X4M-700-9, X4M-700-9HTD	23	24 3/8	20 1/4	9 3/4	9 1/8	1	7 1/2	560	645	690	725	1/4	1

RATINGS & SPECIFICATIONS

NOTES: * PF certified maximum capacities listed are based on +0.1" W.C. combustion chamber pressure.
** At inlet to combination gas valve to obtain PF certified maximum rating with standard U.L. gas train.

CALL US: 620-421-0480
VISIT: WWW.POWERFLAME.COM
EMAIL: CSD@ASTECINDUSTRIES.COM

POWER FLAME INCORPORATED
2001 S. 21ST ST. PARSONS, KS 67357
FOLLOW US:    

