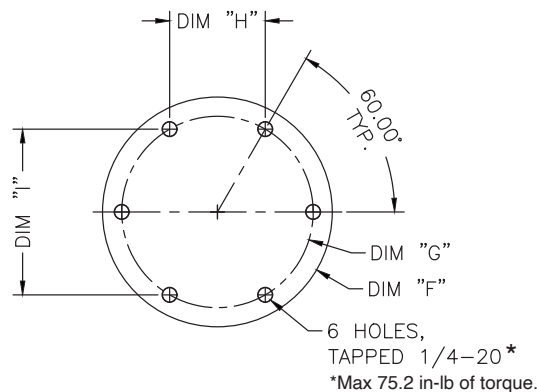
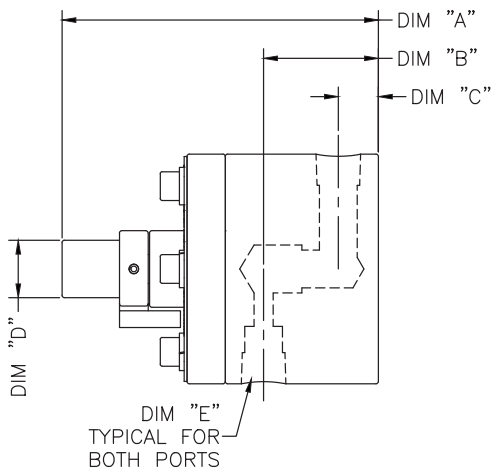




K7 Flow Control Valve

The K7 Flow Control Valve offers improved flow accuracy thanks to a single piece final assembly which over comes hysteresis. The valve also has the ability to operate in both a Clock Wise (CW) or Counter Clock Wise (CCW) direction allowing it to be bi-directional. The valve will operate with #2 fuel oil, B20 Bio-diesel, and liquid propane. The K7 Valve comes in two body sizes 3" and 4" in diameter. There are multiple sizes within each body size. The 3" model is UL listed for #2 fuel oil and B20. The K7-3-X valve will manage up to 900 BHP.



MOUNTING PATTERN

Valve Model	K7-3	K7-4
A	4 1/8	4 13/16
B	1 1/2	1 15/16
C	1/2	15/16
D	3/4	7/8
E	3/8 NPT	3/4 NPT
F	3	4
G	2 1/2	3 3/8
H	1 1/4	1 11/16
I	2 3/16	2 15/16

Dimensions in Inches

U.S. Patent NO. 11,686,400

CALL US: 620-421-0480
VISIT: WWW.POWERFLAME.COM
EMAIL: CSD@ASTECINDUSTRIES.COM

POWER FLAME INCORPORATED
2001 S. 21ST ST. PARSONS, KS 67357
FOLLOW US:

K7-3-X FLOW CONTROL VALVE FLOW RATES

		Pressure Drop Across Valve in PSIG					
		1	10	25	50	75	100
Model #	Cv	#2 Oil Capacity (GPH) @ Open Position (0.85 S.G., 60°F)					
K7-3-0	0.013	0.8	2.6	4.1	5.8	7.1	8.2
K7-3-1	0.043	2.8	8.9	14.1	19.9	24.4	28.2
K7-3-2	0.07	4.5	14.4	22.7	32.1	39.3	45.4
K7-3-3	0.105	6.8	21.6	34.1	48.2	59.1	68.2
K7-3-4	0.146	9.5	29.9	47.3	66.9	81.9	94.6
K7-3-5	0.192	12.5	39.5	62.5	88.4	108.3	125.0
K7-3-5.5	0.308	20.0	63.2	100.0	141.4	173.2	200.0
K7-3-6	0.408	26.5	83.9	132.7	187.7	229.8	265.4
K7-3-7	0.543	35.3	111.6	176.4	249.5	305.5	352.8
K7-3-8	0.703	45.7	144.6	228.6	323.3	395.9	457.2

Table 1: Full Open Position Flow Rates in Imperial Units

		Pressure Drop Across Valve in kPa					
		6.9	68.9	172.4	344.7	517.1	689.5
Model #	Cv	#2 Oil Capacity (LPH) @ Open Position (0.85 S.G., 15.5°C)					
K7-3-0	0.013	3.1	9.8	15.5	21.9	26.9	31.0
K7-3-1	0.043	10.7	33.8	53.4	75.5	92.4	106.7
K7-3-2	0.07	17.2	54.3	85.9	121.5	148.8	171.9
K7-3-3	0.105	25.8	81.6	129.1	182.5	223.6	258.2
K7-3-4	0.146	35.8	113.2	179.0	253.2	310.1	358.1
K7-3-5	0.192	47.3	149.6	236.6	334.6	409.8	473.2
K7-3-5.5	0.308	75.7	239.2	378.5	535.3	655.6	757.1
K7-3-6	0.408	100.5	317.8	502.3	710.4	870.0	1,004.6
K7-3-7	0.543	133.5	422.3	667.7	944.3	1,156.6	1,335.5
K7-3-8	0.703	173.1	547.3	865.3	1,223.8	1,498.8	1,730.7

Table 2: Full Open Position Flow Rates in SI Units

*Contact the factory for K7-4-X (4") Flow Rates.

CALL US: 620-421-0480
 VISIT: WWW.POWERFLAME.COM
 EMAIL: CSD@ASTECINDUSTRIES.COM

POWER FLAME INCORPORATED
 2001 S. 21ST ST. PARSONS, KS 67357
 FOLLOW US:

